

# ***PARTS LIST***

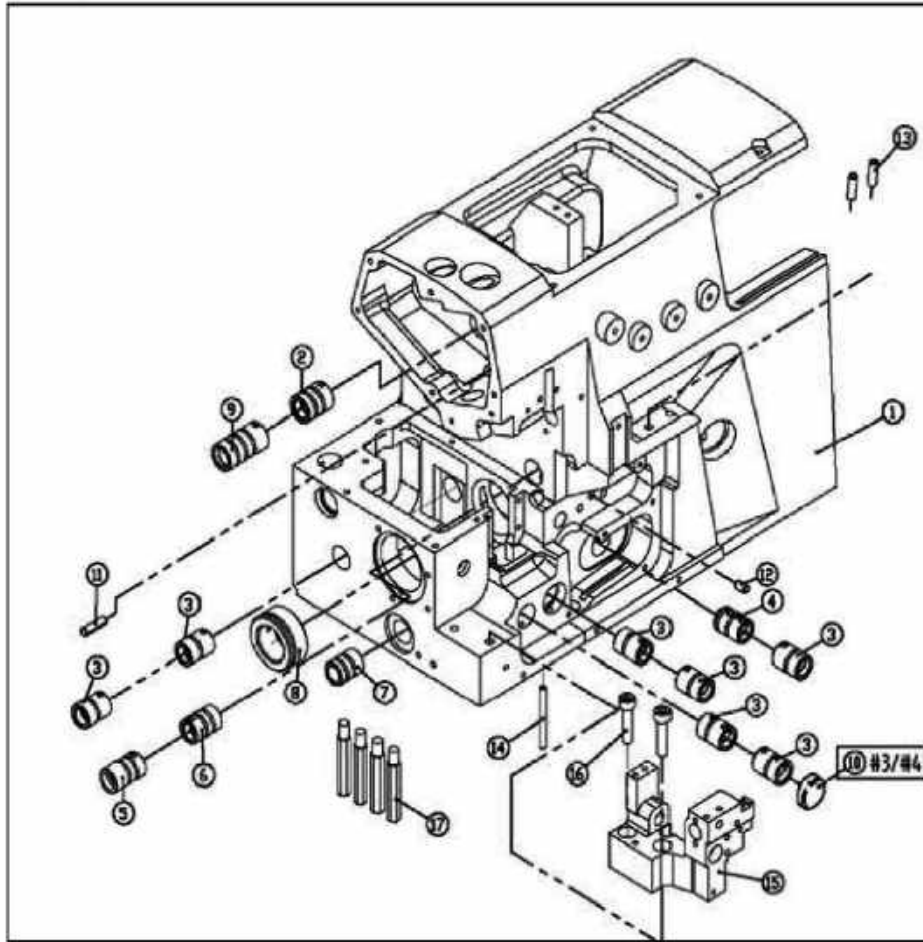
## **M-1 Series PARTS LIST**



# CONTENTS

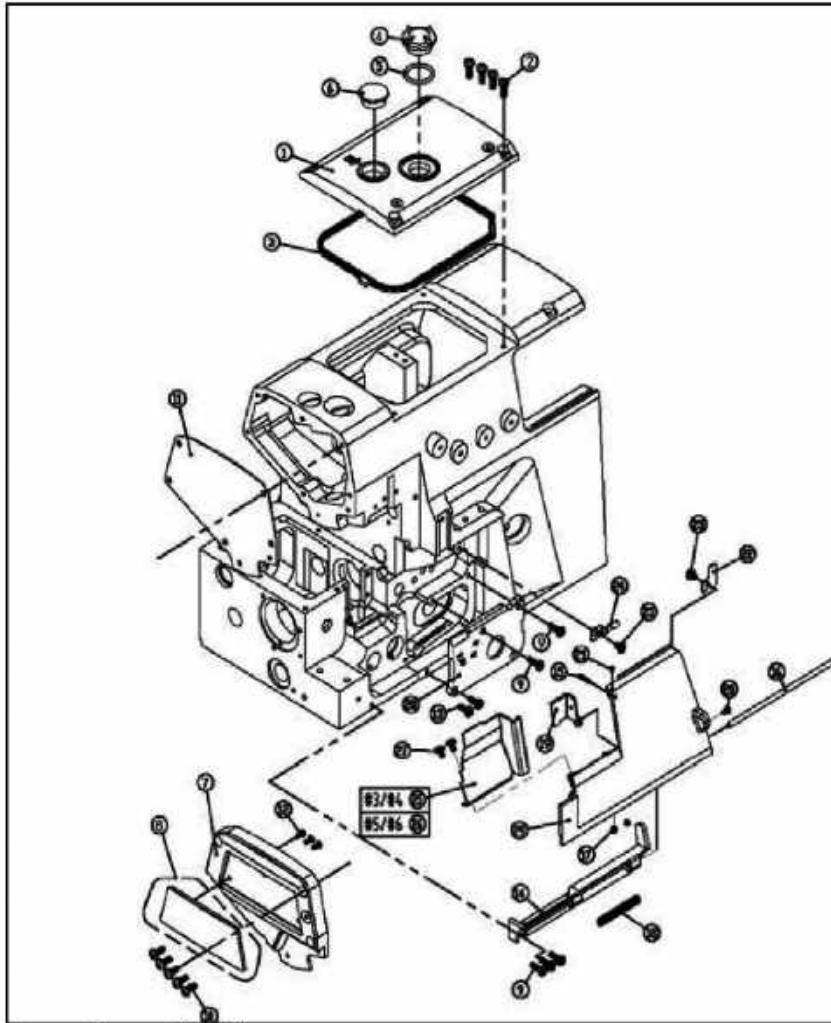
1. Machine Bed Frame.....	1
2. Cover (one).....	2
3. Cover (two).....	3
4. Crankshaft Drive Mechanism .....	5
5. Thread Tension Mechanism .....	7
6. Thread Guide and Thread Takeup (five Thread) .....	8
7. Thread Guide and Thread Takeup (Three/four Thread) .....	9
8. Thread Guide and Thread Takeup .....	11
9. Needle Drive Mechanism (one) .....	13
10. Needle Drive Mechanism (two).....	15
11. Upper Looper Drive Mechanism.....	17
12. Lower Looper Drive Mechanism .....	19
13. Chainstitch Looper Drive Mechanism .....	21
14. Differential feed adjusting mechanism.....	23
15. Feed Mechanism.....	25
16. Knife Drive Mechanism .....	27
17. Presser Foot Mechanism .....	29
18. Lubrication Mechanism (one).....	31
19. Lubrication Mechanism (two).....	33
20. H.R. Device.....	35
21. Thread Stand.....	37
22. Parts For Semi-Submerged Installation .....	39
23. Electronic Control Parts (one).....	40
24. Electronic Control Parts (two).....	41
25. Automatic Trimming Parts .....	43
26. Specific Parts .....	44
27. Gauge sets .....	45

## 1. Machine Bed Frame



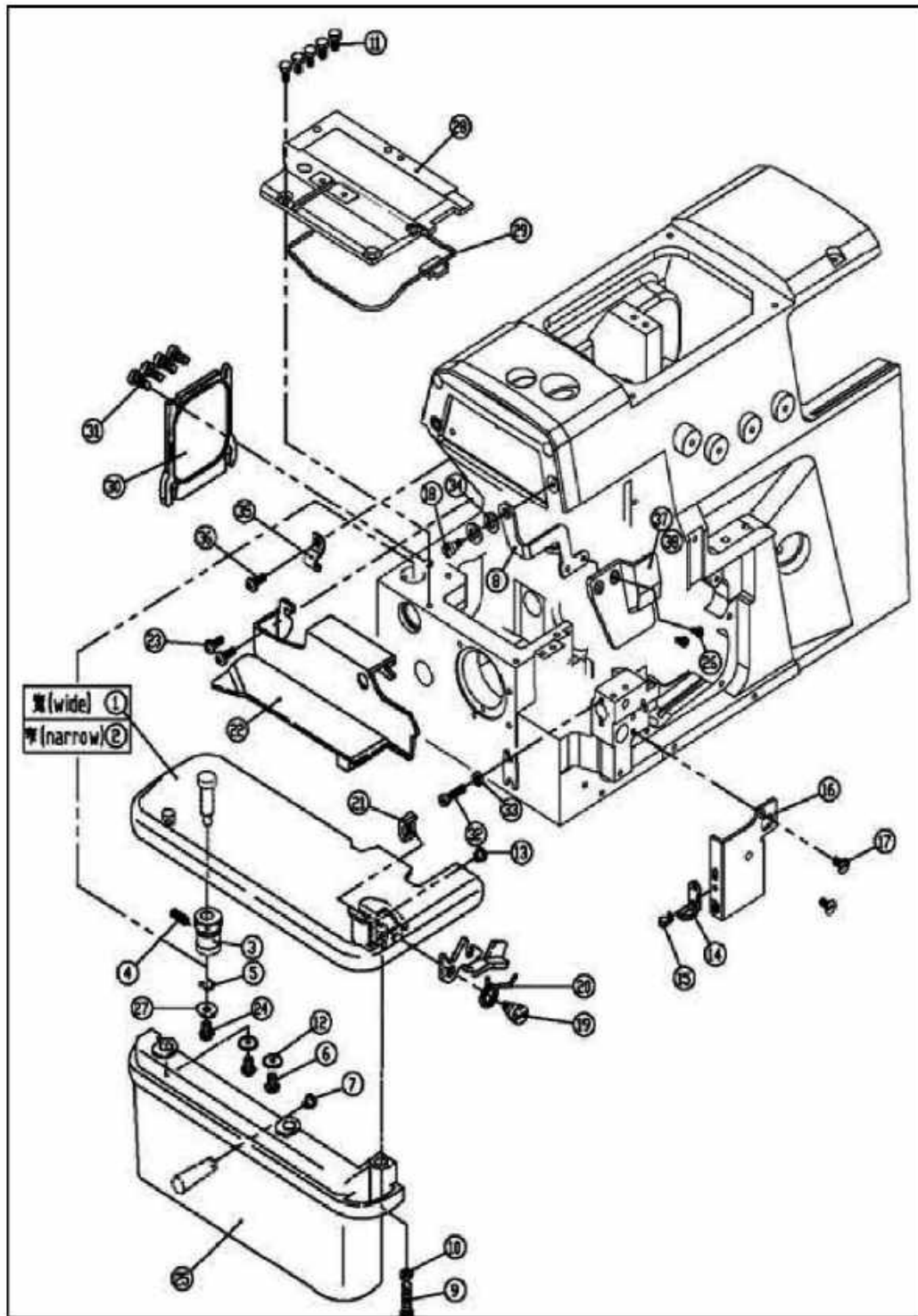
NO.	JIN CODE	NAME	Qty		
			three	four	five
1	JIN031KR0101L-7	Machine Bed Frame	1	1	1
2	JINBF889ZT02	Bushing	1	1	1
3	JINBF889ZT03	Bushing	5	5	7
4	JINBF889ZT04	Bushing	1	1	1
5	JINBF889ZT05	Bushing	1	1	1
6	JINBF889ZT06	Bushing	1	1	1
7	JINBF889ZT07	Bushing	1	1	1
8	JINBF889ZT08	Bushing	1	1	1
9	JINBF889ZT01	Bushing	1	1	1
10	JINBF800208173	Plug	1	1	0
11	JINBF800201002	Pin	1	1	1
12	JINBF889210182	Pin	1	1	1
13	JINBF889240325	Pipe	2	2	2
14	JINBF889240299	Pin	1	1	1
15	JINBF889270008-91	Bracket Assembly	1	1	1
16	JINBF8894511	Screw	2	2	2
17	JINBF800270047	Screw	4	4	4

## 2. Cover (one)



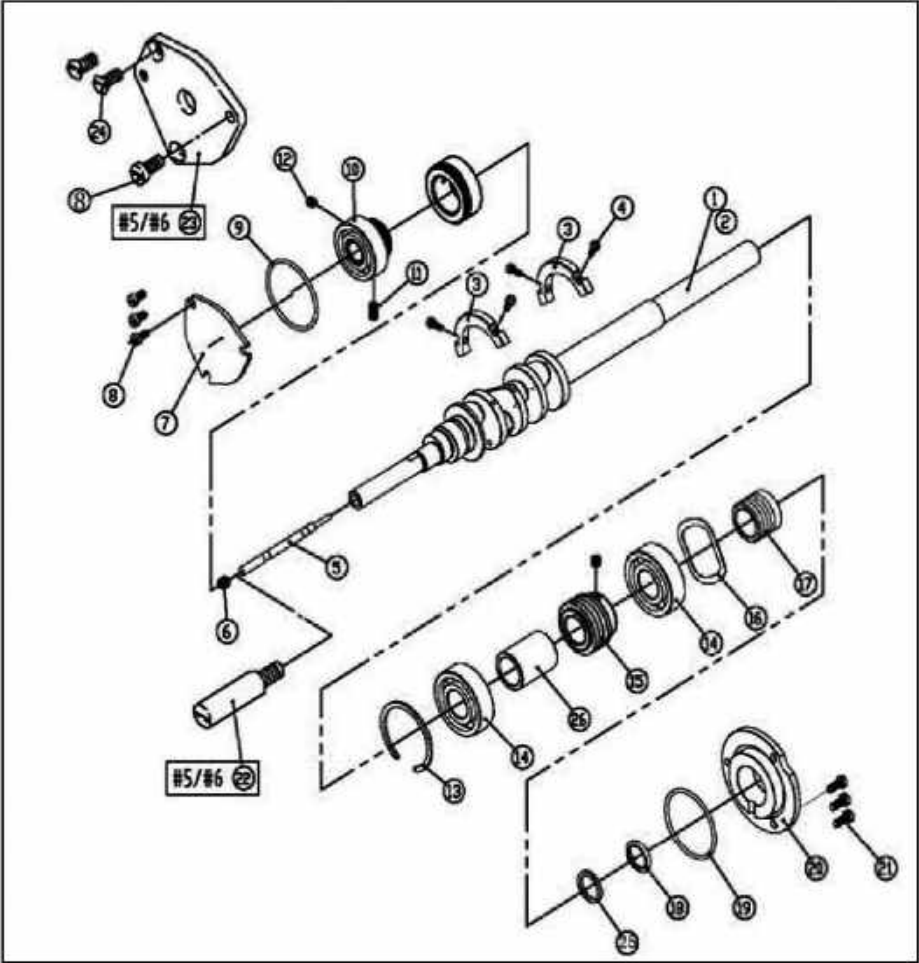
NO.	JIN CODE	NAME	Qty		
			three	four	five
1	JINKR0201	Top Cover	1	1	1
2	JINBF310167020	Screw	4	4	4
3	JINKR0203	Gasket	1	1	1
4	JINPF5550824	Oil sight window	1	1	1
5	JINPF5550825	Oring	1	1	1
6	JINBF889275540	Plug	1	1	1
7	JINKR0207	Cover	1	1	1
8	JINKR0245	Cover	1	1	1
9	JINBF310167021	Screw	5	5	5
10	JINBF8007019	Screw	5	5	5
11	JINKP0208	Cushion	1	1	1
12	JINBF310167010	Screw	3	3	3
13	JINBF310167020	Screw	2	2	2
14	JINBF889270014	Hinge	1	1	1
15	JINBF8894574	Screw	1	1	1
16	JINBF800240043	Pin	1	1	1
17	JINBF310164543	Screw	2	2	2
18	JINBF800240301	Spring	1	1	1
19	JINBF889270018	Latch	1	1	1
20	JINBF310167011	Screw	1	1	1
21	JINBF310164535	Screw	1	1	1
22	JINBF889270017	Latch	1	1	1
23	JINBF8007018	Screw	2	2	2
24	JINBF800210044	Flat Spring	1	1	1
25	JINBF889270012	Front Cover (left)	1	1	0
26	JINBF889270013	Front Cover (left)	0	0	1
27	JINBF8007130	Screw	2	2	2
28	JINBF889270153	Side Cover	1	1	1
29	JINBFX52700111	Front Cover (right)	1	1	1

### 3. Cover (two)



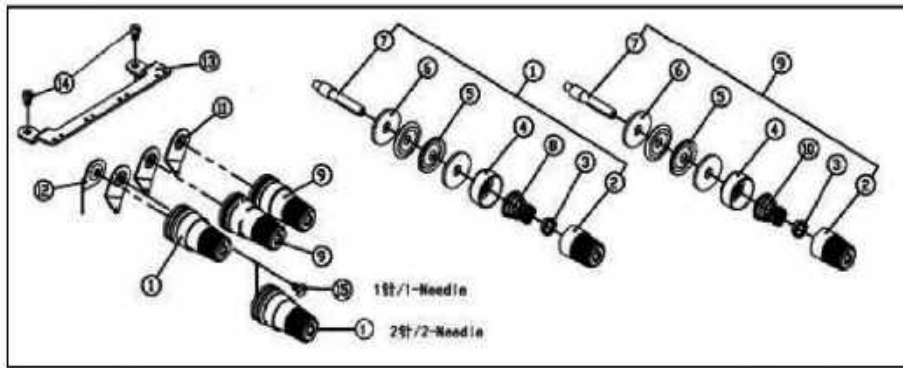
NO.	JIN CODE	NAME	Qty		
			three	four	five
1	JINBF889270037	Cloth Plate	1	1	1
2	JINBF889270037	Cloth Plate	1	1	1
3	JINBF800270042	Bushing	1	1	1
4	JINBF310164543	Screw	1	1	1
5	JINBF800210307	Washer	1	1	1
6	JINBF8007019	Screw	2	2	2
7	JINBF800240305	Cushion Rubber	1	1	1
8	JINKP0330	Eye Guide	1	1	1
9	JINBF310167025	Screw	1	1	1
10	JINBF800240343	Washer	2	2	2
11	JINBF310167084	Screw	5	5	5
12	JINBF800240343	Washer	2	2	2
13	JINBF800240305	Cushion Rubber	1	1	1
14	JINBF800270049	Latch	1	1	1
15	JINBF8007180	Screw	1	1	1
16	JINBF889270015	Plate	1	1	1
17	JINBF8007077	Screw	2	2	2
18	JINBF310167066	Screw	1	1	1
19	JINBF8007172	Screw	1	1	1
20	JINBF800270044	Spring	1	1	1
21	JINBF800270045	Bracket	1	1	1
22	JINBF889270019	Fabric Guide	1	1	1
23	JINBF8007019	Screw	2	2	2
24	JINBF8007019	Screw	2	2	2
25	JINBFX52700302-UB	Sike Cover	1	1	1
26	JINBF310164543	Screw	1	1	1
27	JINBF800210307	Washer	1	1	1
28	JINBF889270177	Bed Cover Plate As	1	1	1
29	JINBF889270023	Gasket	1	1	1
30	JINBFX5270026B	Cover Plate	1	1	1
31	JINBF310167020	Screw	4	4	4
32	JINBF310167023	Screw	1	1	1
33	JINBF310164821	Nut	1	1	1
34	JINBF800210307	Washer	2	2	2
35	JINKR0246	Ply-varn drill	1	1	1
36	JINBF8007019	Screw	1	1	1
37	JINBF889270032	Fve Gulde	1	1	1
38	JINBF889270033	Fve Gulde	0	0	0

4. Crankshaft Drive Mechanism



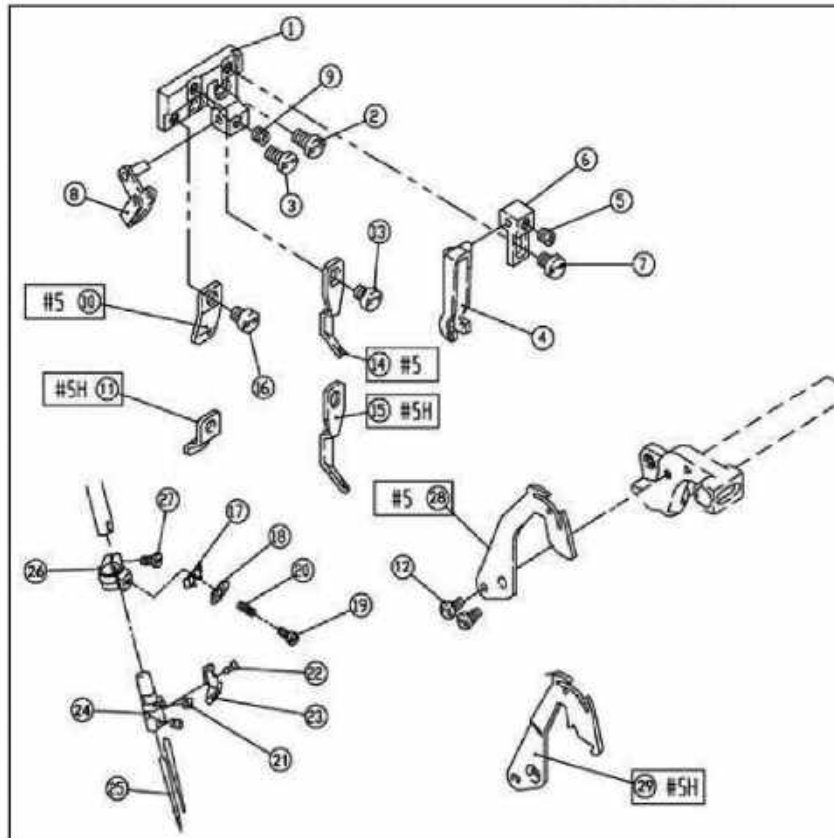
NO.	JIN CODE	NAME	Qty		
			three	four	five
1	JINKRO401	Crankshaft	1	1	1
2	JINKRO401H	Crankshaft	1	1	1
3	JINBF889270502	Blance Weight	2	2	2
4	JINBF310167011	Screw	4	4	4
5	JINBF889270503	Pin	1	1	1
6	JINBF8897374	Screw	1	1	0
7	JINBF889270508	O Ring	1	1	1
8	JINBF8007019	Screw	3	3	1
9	JINBF800240340	O Ring	1	1	1
10	JINBF8892705071	Ratchet	1	1	1
11	JINBF8004572	Screw	1	1	1
12	JINBF310164514	Screw	1	1	1
13	JINBF889240335	Ring	1	1	1
14	JINBF310166203Z	Ball Bearing	2	2	2
15	JINBF889274507	Worm wheel	1	1	1
16	JINBF889240306	Washer	1	1	1
17	JINKRO418	Oil Seal	1	1	1
18	JINKRO433	Washer	1	1	1
19	JINBF889240307	O Ring	1	1	1
20	JINBF889211528A	Ringht Cover	1	1	1
21	JINBF310167020	Screw	3	3	3
22	JINBF800270510	Pin	0	0	1
23	JINBF889270510	Cover	0	0	1
24	JINBF8897044	Screw	0	0	2
25	JINBF31016206837	Oil Seal	1	1	1
26	JINBF889270523A	Spacer	1	1	1

## 5. Thread Tension Mechanism



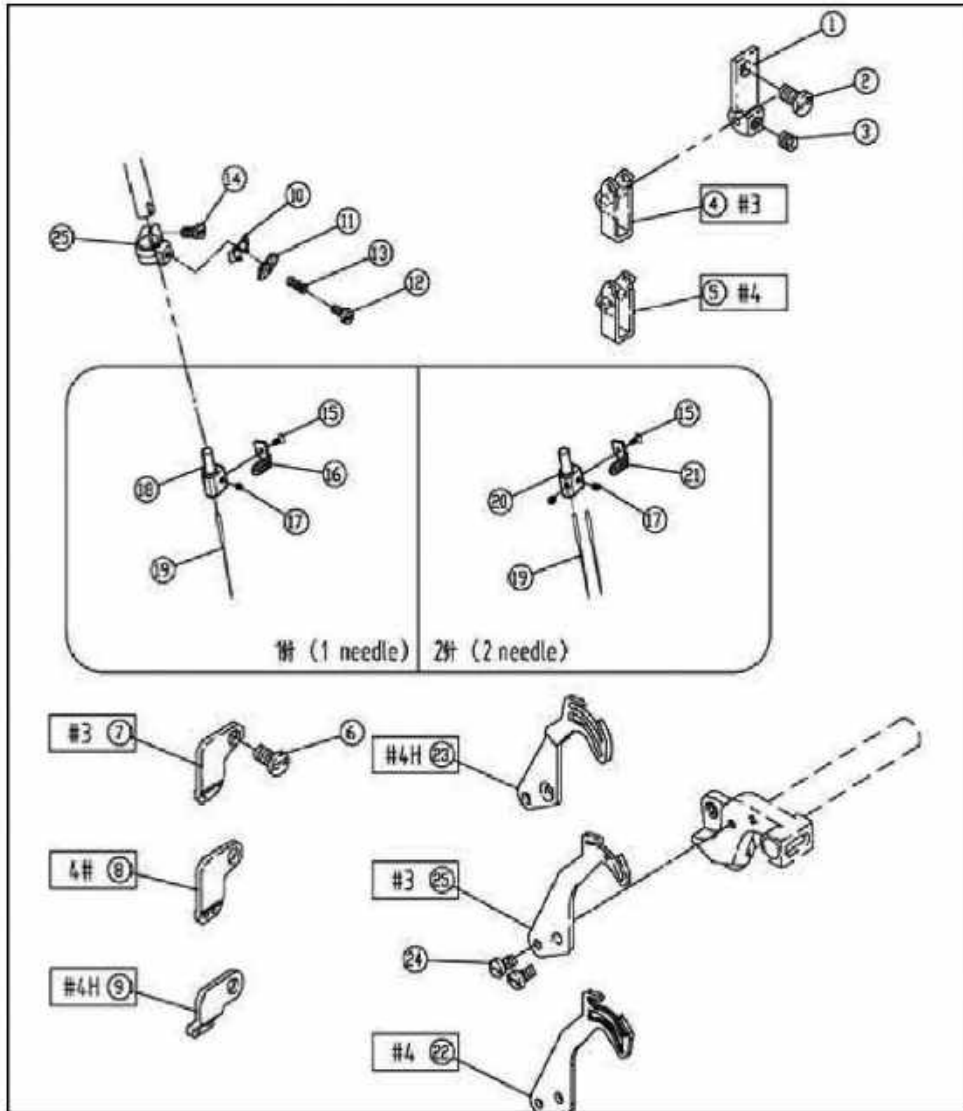
NO.	JIN CODE	NAME	Qty		
			three	four	five
1	JINBF8892105291	Thread Tension Com	1	2	2
2	JINBF889208447-UA	Post Nut	3	4	4
3	JINBF889208448	Spring Bushing	3	4	4
4	JINBF889208450	Cup	3	4	4
5	JINBF889210319	Tension Disc	6	8	8
6	JINBF889208449	Felt	3	4	4
7	JINBF8895082	Screw	3	4	4
8	JINBF889201037	Spring	1	2	2
9	JINBF8892105301	Thread Tension Com	2	2	2
10	JINBF889201086	Spring	2	2	2
11	JINKR0511	Coil Holder	1	1	1
12	JINKR0512	Thread Guide	1	1	1
13	JINKR0513	Thread Guide	2	3	3
14	JINBF8007130	Screw M4X7	2	2	2
15	JINBF8894009	Screw	1	0	0

## 6. Thread Guide and Thread Takeup (five Thread)



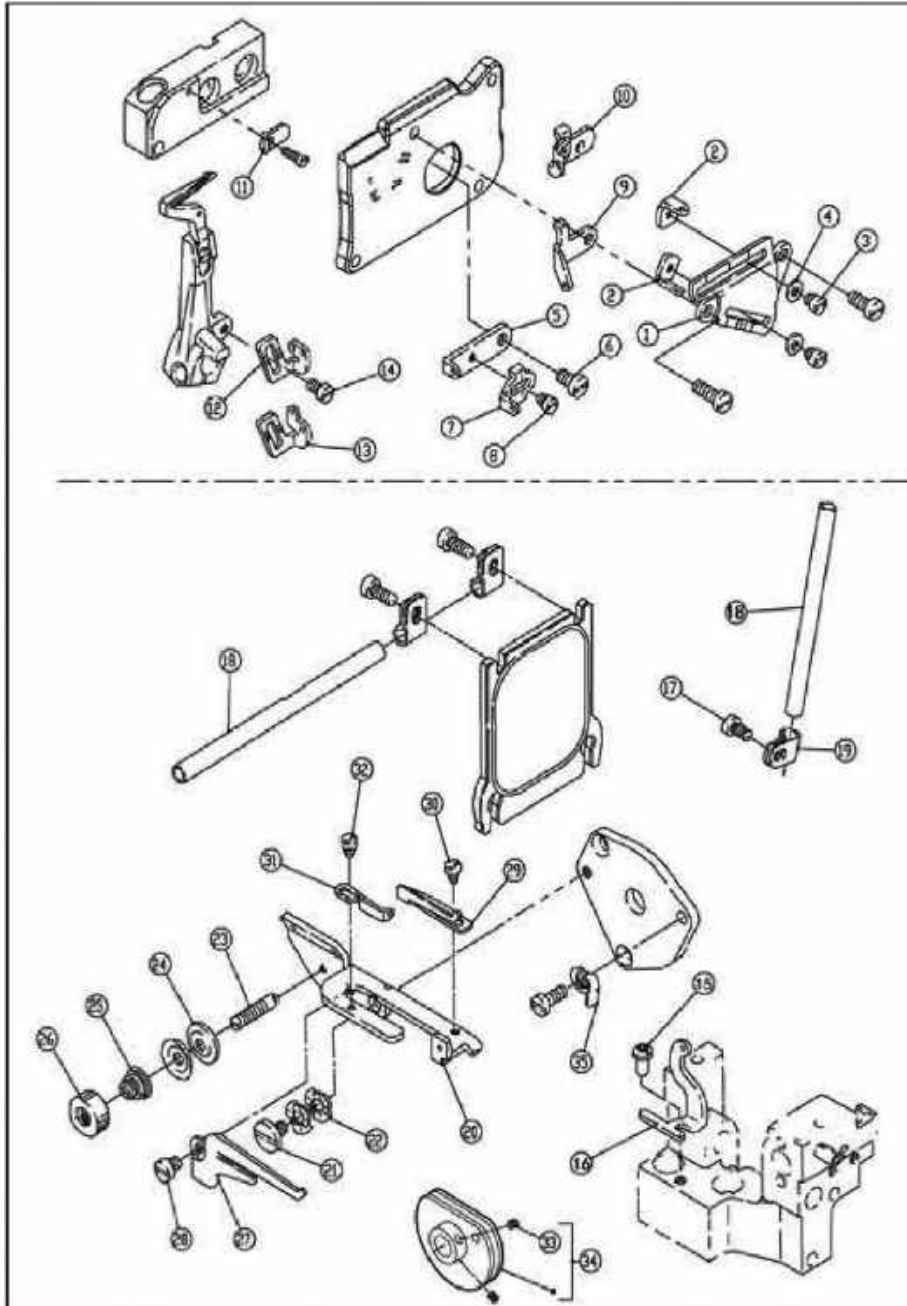
NO.	JIN CODE	NAME	Qty		
			three	four	five
1	JINBFX52750211	Bracket	0	0	1
2	JINBF310167082	Screw	0	0	2
3	JINBF310167082	Screw	0	0	2
4	JINBF889275024	Thread Guide	0	0	2
5	JINBF310164543	Screw	0	0	1
6	JINBF889275026	Bracket	0	0	1
7	JINBF8007018	Screw	0	0	1
8	JINBF889275022	Thread Guide	0	0	1
9	JINBF310164543	Screw	0	0	1
10	JINBF889275029	Thread Guide	0	0	1
11	JINBF889275052A	Thread Guide-H	0	0	1
12	JINBF8007008	Screw	0	0	2
13	JINBF8007018	Screw	0	0	1
14	JINBF889275028	Thread Guide	0	0	1
15	JINBF889275057	Thread Guide-H	0	0	1
16	JINBF8007018	Screw	0	0	1
17	JINBF889275011	Thread Retainer	0	0	1
18	JINBF889275012	Thread Retainer	0	0	1
19	JINBF8897163	Screw	0	0	1
20	JINBF889240326	Spring	0	0	1
21	JINBF310164554	Screw	0	0	1
22	JINBF700SM235	Screw	0	0	1
23	JINBF889275030A	Thread Guide	0	0	1
24	JINBF889277027	Needle Holder Asse	0	0	1
25	JINBF70014JZ	Needle	0	0	2
26	JINBF889271009-92	Ring	0	0	1
27	JINBF8897035	Screw	0	0	1
28	JINBF889275027	Thread Takeup	0	0	1
29	JINBF889275122	Thread Takeup-H	0	0	1

## 7. Thread Guide and Thread Takeup (Three/four Thread)



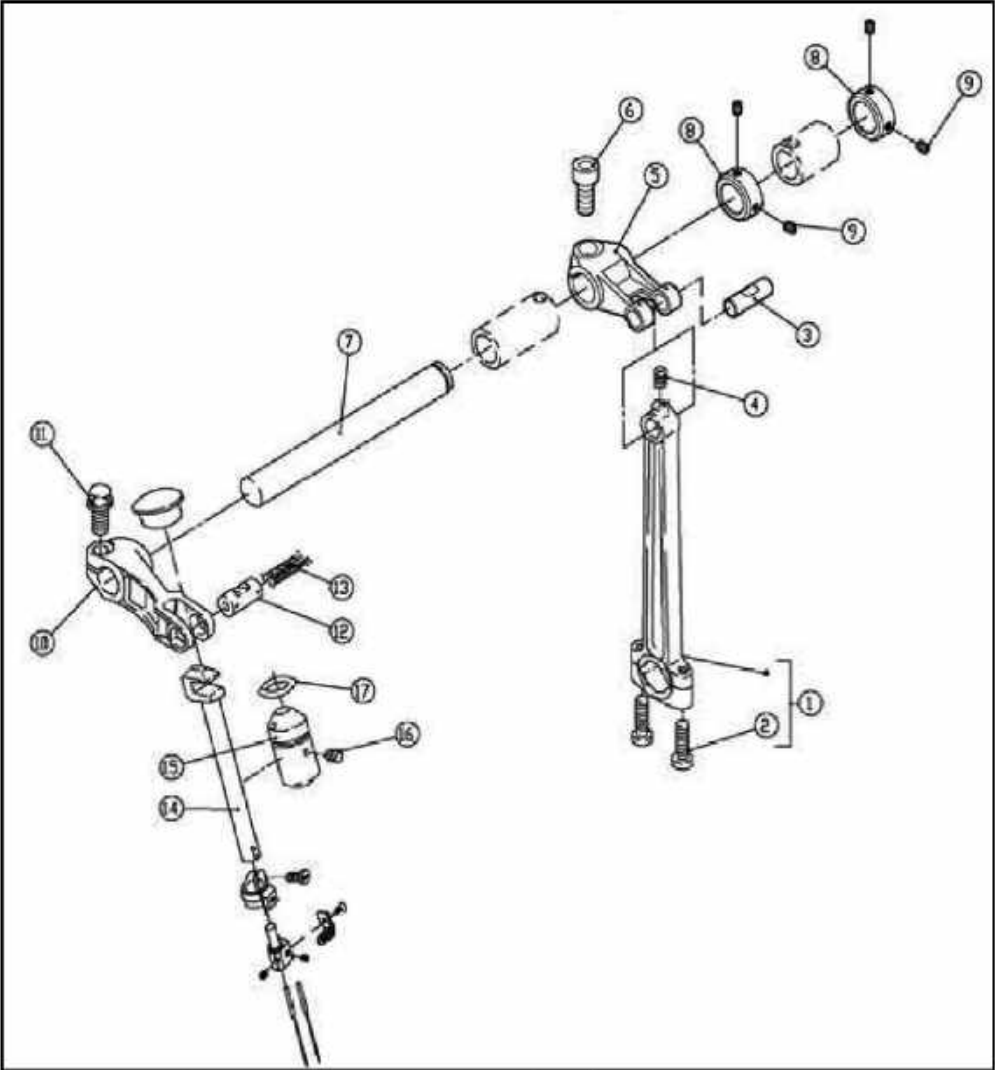
NO.	JIN CODE	NAME	Qty		
			three	four	five
1	JINBF889275015	Bracket	1	1	0
2	JINBF8007130	Screw	1	1	0
3	JINBF310164543	Screw	1	1	0
4	JINBF889275013A	Thread Guide	1	0	0
5	JINBF889275013	Thread Guide	0	1	0
6	JINBF8007130	Screw	1	1	0
7	JINBF889275018	Thread Eyelet	1	0	0
8	JINBF889275018A	Thread Eyelet	0	1	0
9	JINBF889275018AH	Thread Eyelet-H	0	1	0
10	JINBF889275011	Thread Retainer	1	1	0
11	JINBF889275012	Thread Retainer	1	1	0
12	JINBF8897163	Screw	1	1	0
13	JINBF889240326	Spring	1	1	0
14	JINBF8897035	Screw	1	1	0
15	JINBF700SM235	Screw	1	1	0
16	JINBF889275019A	Needle Holder Asse	1	0	0
17	JINBF310164554	Screw	1	1	0
18	JINBF889179630	Needle Holder Asse	1	0	0
19	JINBF70011JZ	Needle	1	2	0
20	JINBF889277022	Needle Holder Asse	0	1	0
21	JINBF889275019B	Needle Holder Asse	0	1	0
22	JINBF889275017	Thread Takeup	0	1	0
23	JINBF889275017H	Thread Takeup-H	0	1	0
24	JINBF8007008	Screw	2	2	0
25	JINBF889275016	Thread Takeup	1	0	0

## 8. Thread Guide and Thread Takeup



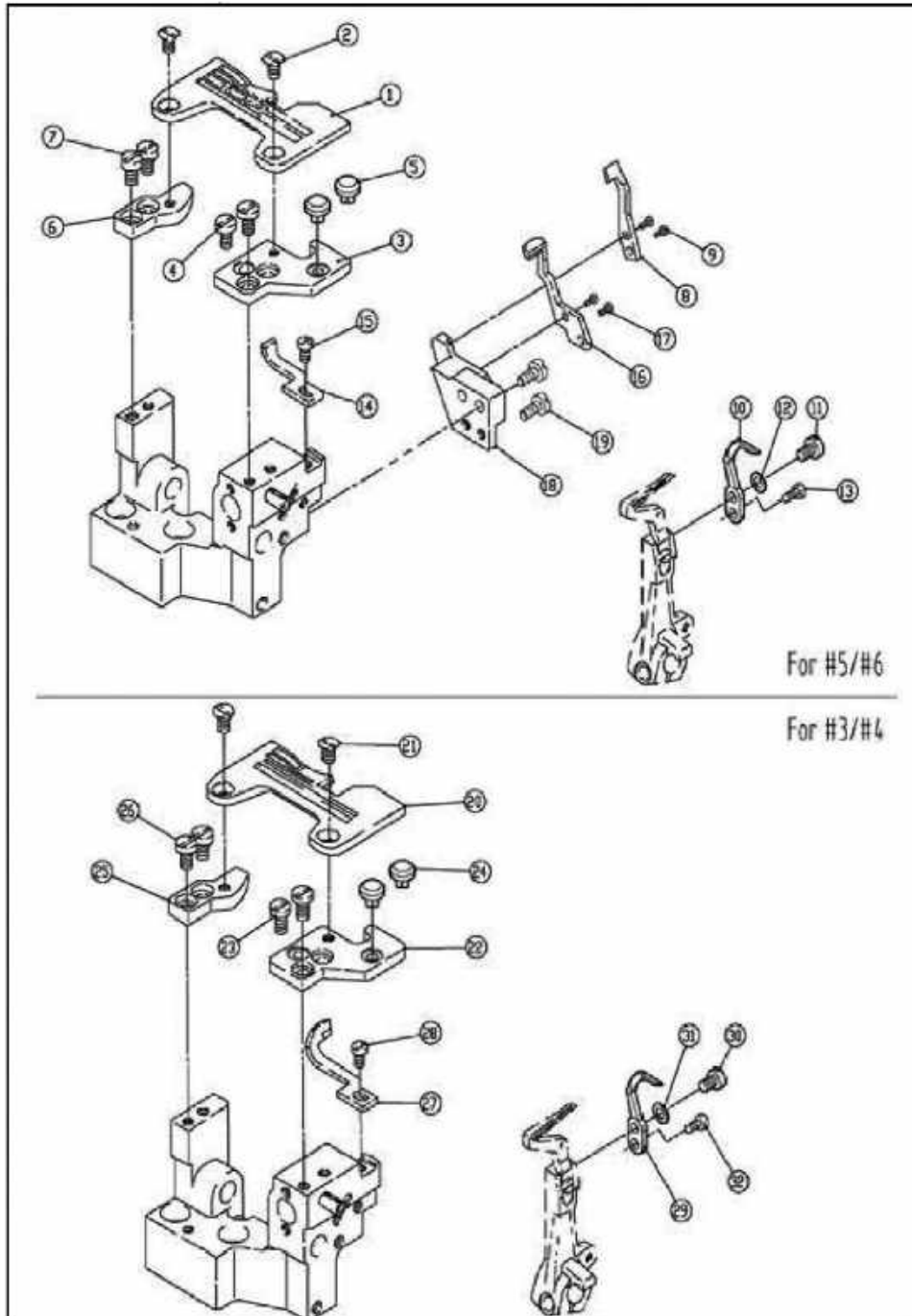
NO.	JIN CODE	NAME	Qty		
			three	four	five
1	JINBF889275004	Bracket	1	1	1
2	JINBF700M810	Thread Guide	2	2	2
3	JINBF8007008	Screw	2	2	2
4	JINBF889202875	Washer	2	2	2
5	JINBF889275005	Thread Takeup	1	1	1
6	JINBF310167020	Screw M4X10	1	1	1
7	JINBF889275006	Thread Guide	1	1	1
8	JINBF8007008	Screw	1	1	1
9	JINBF889275007	Thread Guide	1	1	1
10	JINBF889275055	Thread Guide	1	1	1
11	JINBF889275026	Thread Guide	1	1	1
12	JINBF889275054	Thread Takeup	1	1	1
13	JINBF889275009	Thread Takeup	1	1	1
14	JINBF8007012	Screw	1	1	1
15	JINBF8007018	Screw M4X5	0	0	1
16	JINBF889275038	Thread Guide	0	0	1
17	JINBF8007019	Screw M4X8	0	0	1
18	JINBF800209631	Thread Guide	0	0	2
19	JINBF800206115	Holder	0	0	3
20	JINBF800275033A	Bracket	0	0	1
21	JINBF310167066	Screw	0	0	1
22	JINBF800210307	Washer	0	0	2
23	JINBF310167167	Screw	0	0	1
24	JINBF31016137108	Tension Disc	0	0	2
25	JINBF31016211388	Spring	0	0	1
26	JINBF31016275034	Knob	0	0	1
27	JINBF800275035	Thread Guide	0	0	1
28	JINBF8007018	Screw M4X5	0	0	1
29	JINBF800275036	Thread Guide	0	0	1
30	JINBF8007008	Screw	0	0	1
31	JINBF800275039	Thread Guide	0	0	1
32	JINBF8007008	Screw	0	0	1
33	JINBF310164554	Screw M3X3	0	0	2
34	JINBF800179498	Looper Thread Takeu	0	0	1
35	JINBF800275037	Spring	0	0	1

9. Needle Drive Mechanism (one)



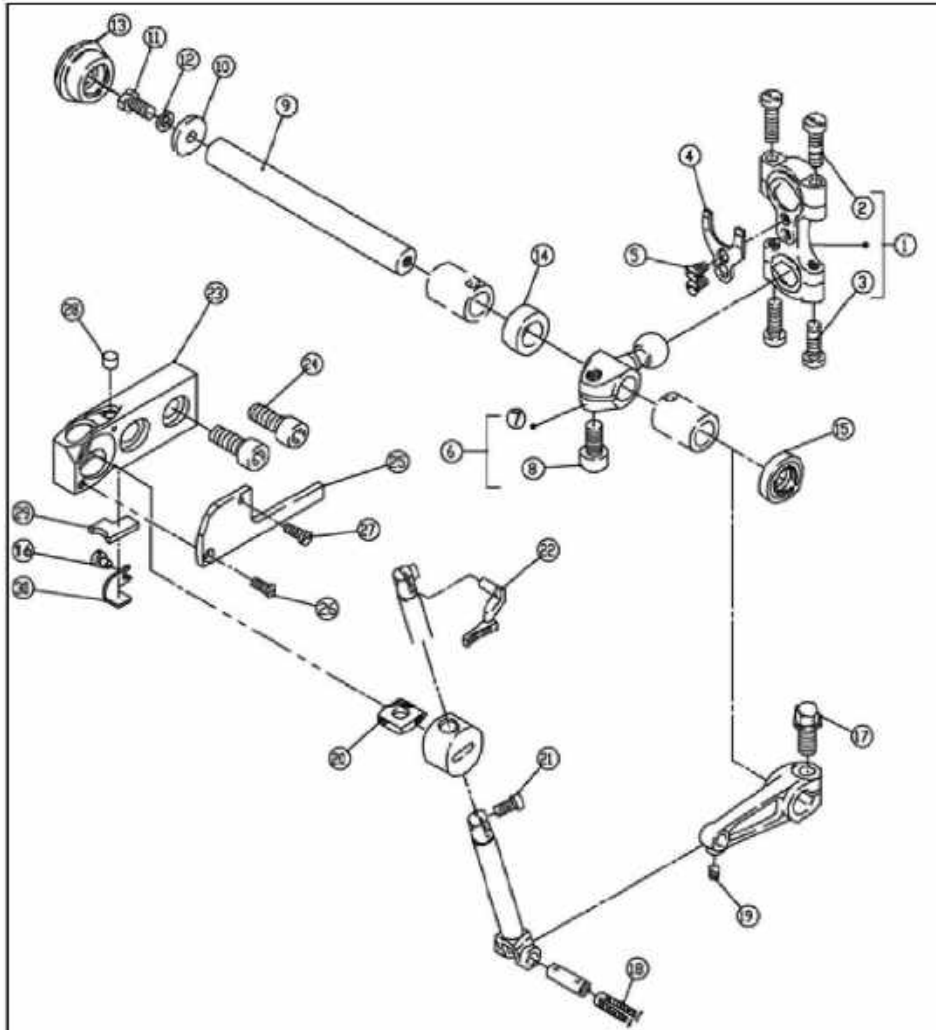
NO.	JIN CODE	NAME	Qty		
			three	four	five
1	JINBF889271000-92	Connection	1	1	1
2	JINBF2002040103	Screw	2	2	2
3	JINBF800271001	Pin	1	1	1
4	JINBF8004538	Screw	1	1	1
5	JINBF889271002-92	Crank	1	1	1
6	JINBF80045331	Screw	1	1	1
7	JINBFX5271003A	Shaft	1	1	1
8	JINBFX5240308A	Collar	2	2	2
9	JINBF310164554	Screw	4	4	4
10	JINBF889271004	Lever	1	1	1
11	JINBF8007150	Screw	1	1	1
12	JINBF889271022A91	Shaft	1	1	1
13	JINBF889202177	Oil wick	1	1	1
14	JINBF889271005A	Needle Bar	1	1	1
15	JINBF889271005B	Bushing	1	1	1
16	JINBF310164546	Screw	1	1	1
17	JINBF889201022	O Ring	1	1	1

## 10. Needle Drive Mechanism (two)



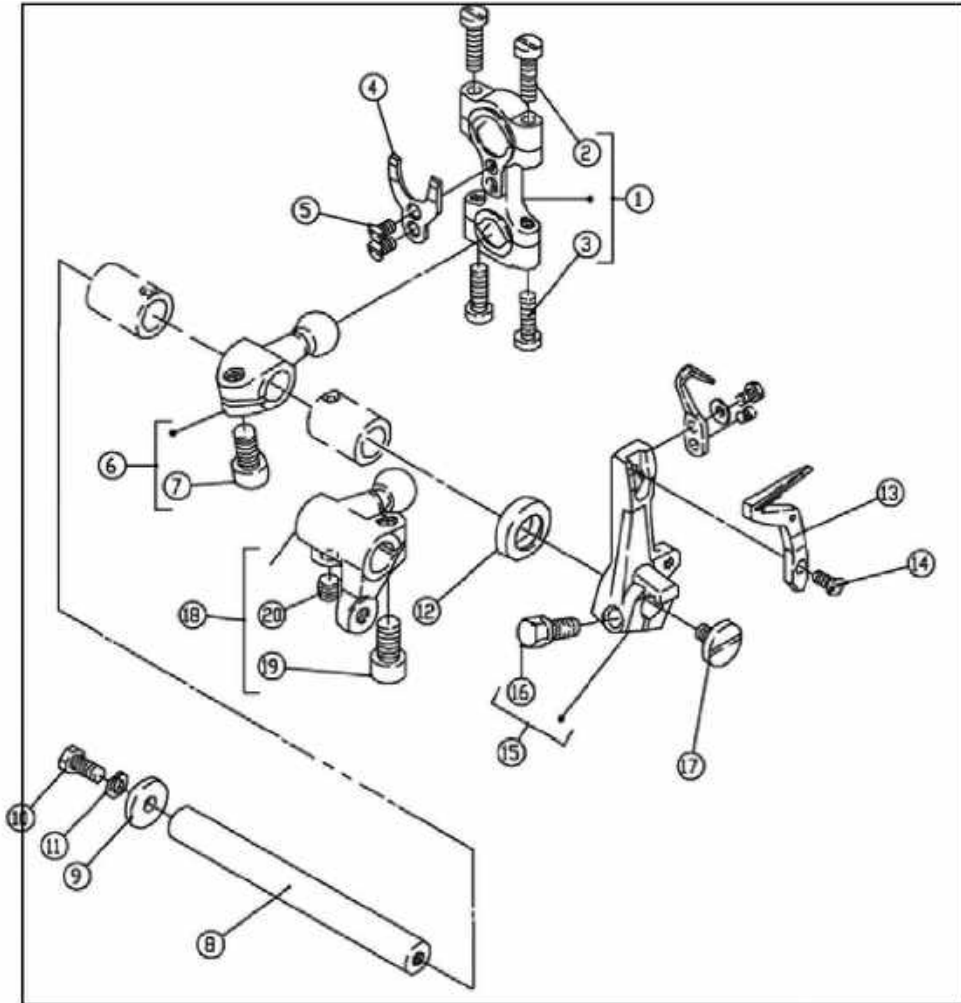
NO.	JIN CODE	NAME	Qty		
			three	four	five
1	XXXXXXXX	Needle Plat	0	0	1
2	JINBF8007170	Screw	0	0	2
3	JINBF889271010	Bracket	0	0	1
4	JINBF8007130	Screw	0	0	2
5	JINBF800240305	Cushion Rubber	0	0	2
6	JINBF889271011	Bracket	0	0	1
7	JINBF8007019	Screw	0	0	2
8	JINBF889277007	Needle Guard	0	0	1
9	JINBF8007010	Screw	0	0	2
10	JINBF889277004	Needle Guard	0	0	1
11	JINBF8897259	Screw	0	0	1
12	JINBF800202875	Washer	0	0	1
13	JINBF8897165	Screw	0	0	1
14	JINBF889277005	Needle Guard	0	0	1
15	JINBF8007019	Screw	0	0	1
16	JINBF889277006	Needle Guard	0	0	1
17	JINBF8007010	Screw	0	0	2
18	JINBF889271013	Bracket	0	0	1
19	JINBF8897114	Screw	0	0	2
20	XXXXXXXX	Needle Plat	0	1	0
21	JINBF8897170	Screw	2	2	0
22	JINBF889271010	Bracket	1	1	0
23	JINBF8897019	Screw	2	2	0
24	JINBF889240305	Cushion Rubber	2	2	0
25	JINBF889271011	Bracket	1	1	0
26	JINBF8897019	Screw	2	2	0
27	XXXXXXXX	Needle Guard	1	1	0
28	JINBF8897019	Screw	1	1	0
29	XXXXXXXX	Needle Guard	1	1	0
30	JINBF8897259	Screw	1	1	0
31	JINBF889240222	Spring	1	1	0
32	JINBF8897165	Screw M3	1	1	0

## 11. Upper Looper Drive Mechanism



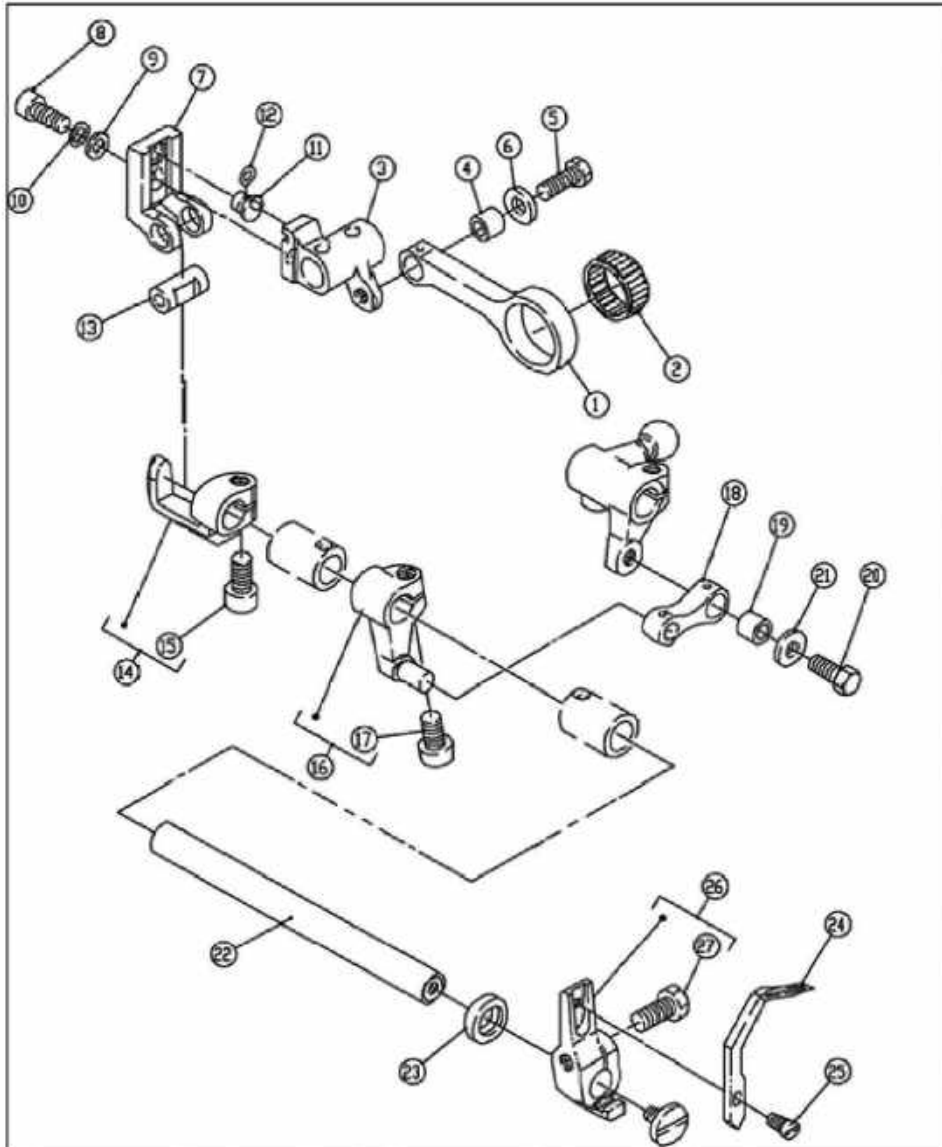
NO.	JIN CODE	NAME	Qty		
			three	four	five
1	JIN889271500-92	Connection	1	1	1
2	JINBF310167023	Screw	2	2	2
3	JINBF310167022	Screw	2	2	2
4	JINBFX52715011	Washer	1	1	1
5	JINBF8007041	Screw	2	2	2
6	JINBF889271502	Crank	1	1	1
7	JINBF889271502-92	Crank	1	1	1
8	JINBF80045331	Screw	1	1	1
9	JINBF889271504	Shaft	1	1	1
10	JINBF800240338	Washer	1	1	1
11	JINBF8007174	Screw	1	1	1
12	JINBF800303067	Washer	1	1	1
13	JINBF889275540	Plug	1	1	1
14	JINBF889210122	Spacer	1	1	1
15	JINBF700M83	Oil Seal	1	1	1
16	JINBF310167010	Screw	1	1	1
17	JINBF8007150	Screw	1	1	1
18	JINBF889202176	Felt	1	1	1
19	JINBF310164545	Screw	1	1	1
20	JINBF889179130	Felt	1	1	1
21	JINBF8897035	Screw	1	1	1
22	XXXXXX	Upper Looper	1	1	1
23	JINBF889271510	Upper Looper Brack	1	1	1
24	JINBF8004510	Screw	2	2	2
25	JINBF889271543	Cover	1	1	1
26	JINBF8007039	Screw	1	1	1
27	JINBF8897033	Screw	1	1	1
28	— — —	Oil Wick	1	1	1
29	JINBF889274589	Felt	1	1	1
30	JINBF889274588	Bracket	1	1	1

## 12. Lower Looper Drive Mechanism



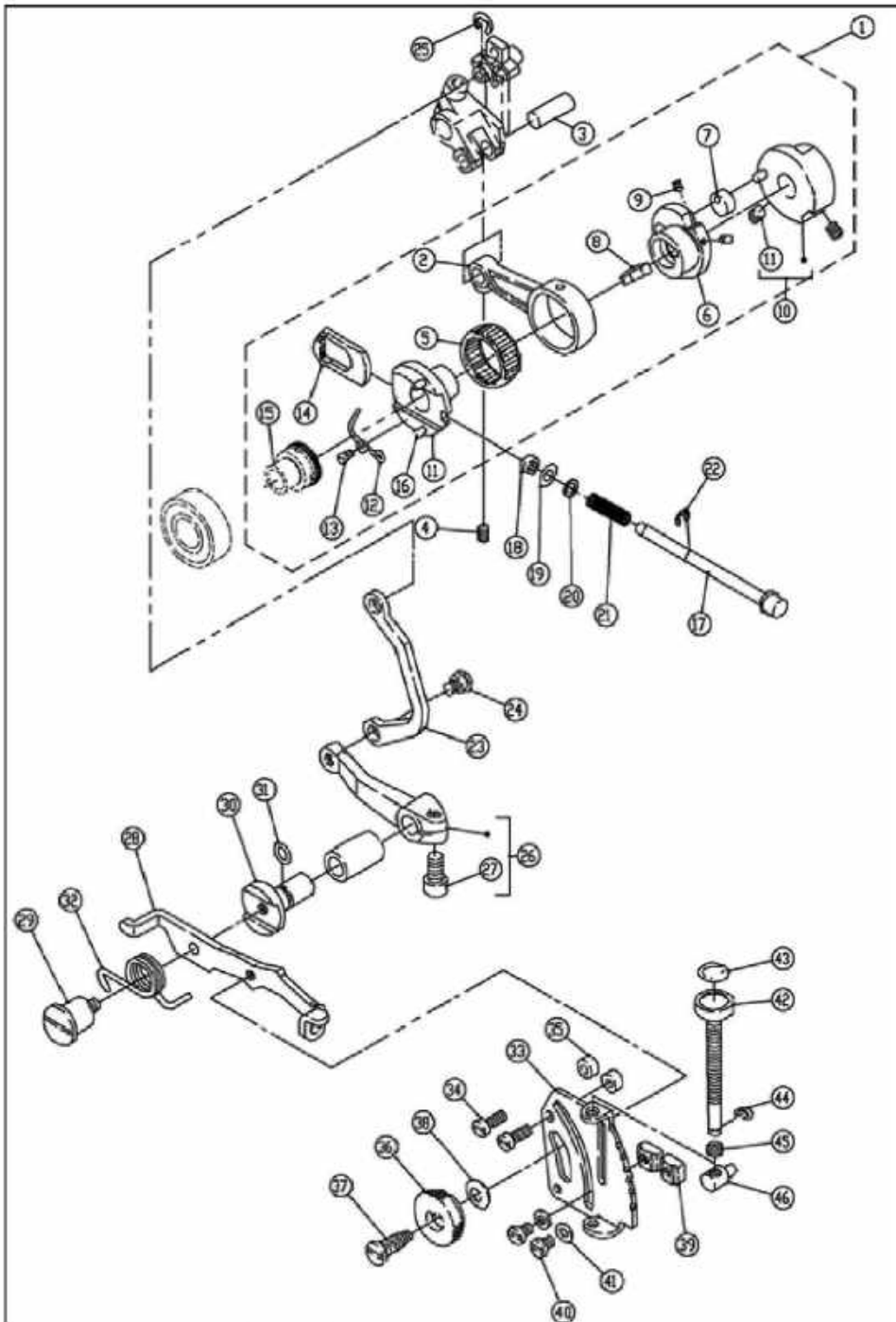
NO.	JIN CODE	NAME	Qty		
			three	four	five
1	JINBF889271500-92	Connection	1	1	1
2	JINBF310167023	Screw	2	2	2
3	JINBF310167022	Screw	2	2	2
4	JINBFX52715011	Washer	1	1	1
5	JINBF8007041	Screw	2	2	2
6	JINBF889272000-92	Crank	1	1	0
7	JINBF80045331	Screw	1	1	0
8	JINBF889271504	Shaft	1	1	1
9	JINBF800240338	Washer	1	1	1
10	JINBF8007174	Screw	1	1	1
11	JINBF800303067	Washer	1	1	1
12	JINBF700M83	Oil Seal	1	1	1
13	JINBF889277015	Lower Looper	1	1	1
14	JINBF8897168	Screw	1	1	1
15	JINBF889273511-92	Crank	1	1	1
16	JINBF700S058	Screw	1	1	1
17	JINBF8897169	Screw	1	1	1
18	JINBF889273511-92	Crank	0	0	1
19	JINBF80045331	Screw	0	0	1
20	JINBF310164514	Screw	0	0	1

### 13. Chainstitch Looper Drive Mechanism



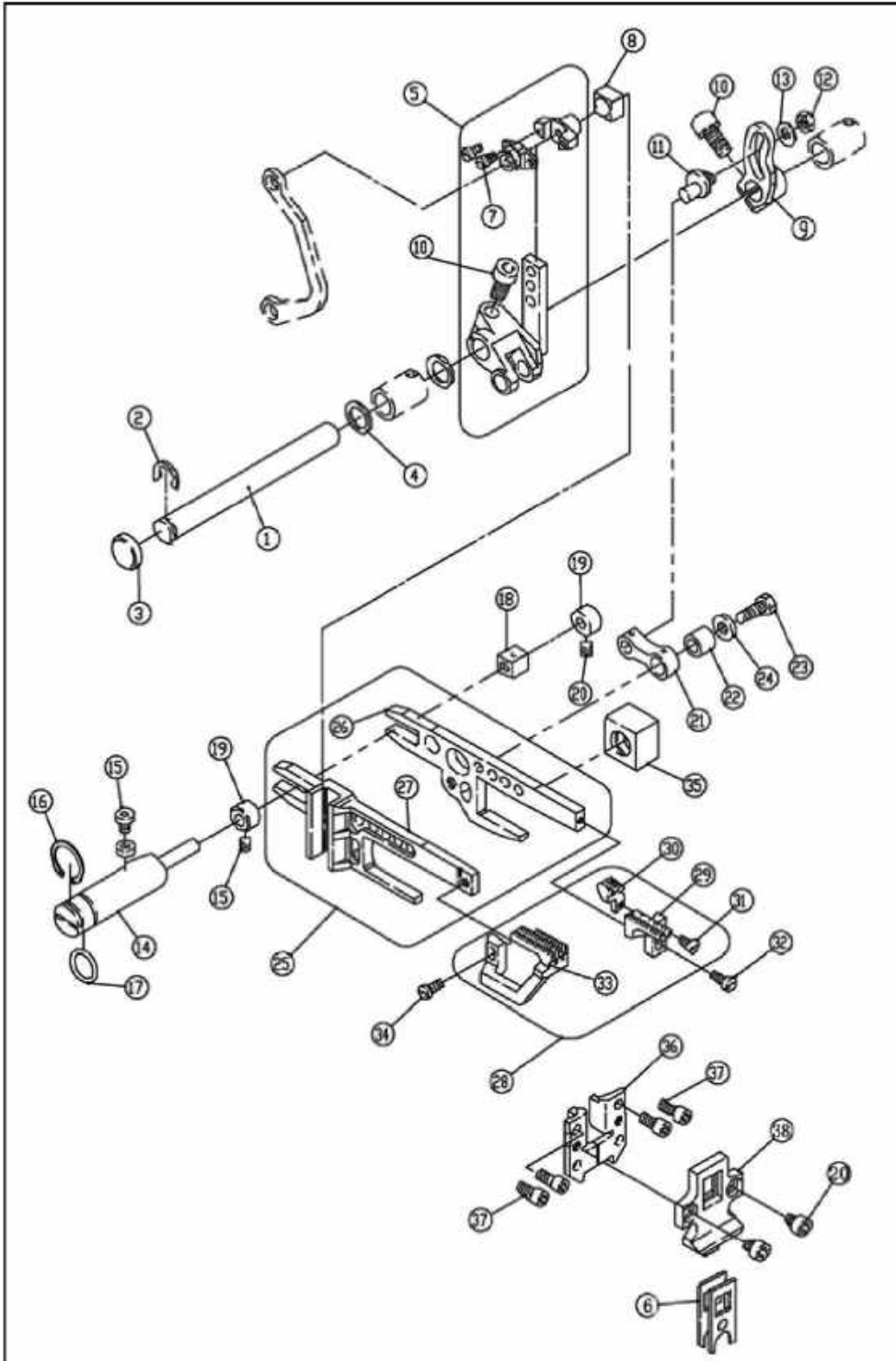
NO.	JIN CODE	NAME	Qty		
			three	four	five
1	JINBF889273500	Connection	0	0	1
2	JINBF889205015-20	Needle Bearing	0	0	1
3	JINBF88927350	Crank	0	0	1
4	JINBF889240542	Bushing	0	0	1
5	JINBF8897056	Screw	0	0	1
6	JINBF31016240049	Washer	0	0	1
7	JINBF889273502	Slider	0	0	1
8	JINBF310164531	Screw	0	0	1
9	JINBF800240062	Washer	0	0	1
10	JINBF800303067	Washer	0	0	1
11	JINBF889252515	Pin	0	0	1
12	JINBF889208949	O Ring	0	0	1
13	JINBF800273504	Shaft	0	0	1
14	JINBF889273505-92	Holder	0	0	1
15	JINBF80045331	Screw	0	0	1
16	JINBF889273509	Crank	0	0	1
17	JINBF80045331	Screw	0	0	1
18	JINBF889272517	Link	0	0	1
19	JINBF889240542A	Bushing	0	0	1
20	JINBF8897056	Screw	0	0	1
21	JINBF31016240049	Washer	0	0	1
22	JINBF889273506	Shaft	0	0	1
23	JINBF700M1119	Oil Seal	0	0	1
24	JINBF889277018	Double Chainstich	1	1	1
25	JINBF8897168	Screw	0	0	1
26	JINBF889273510	Looper Holder	0	0	1
27	JINBF700S058	Screw	0	0	1

## 14. Differential feed adjusting mechanism



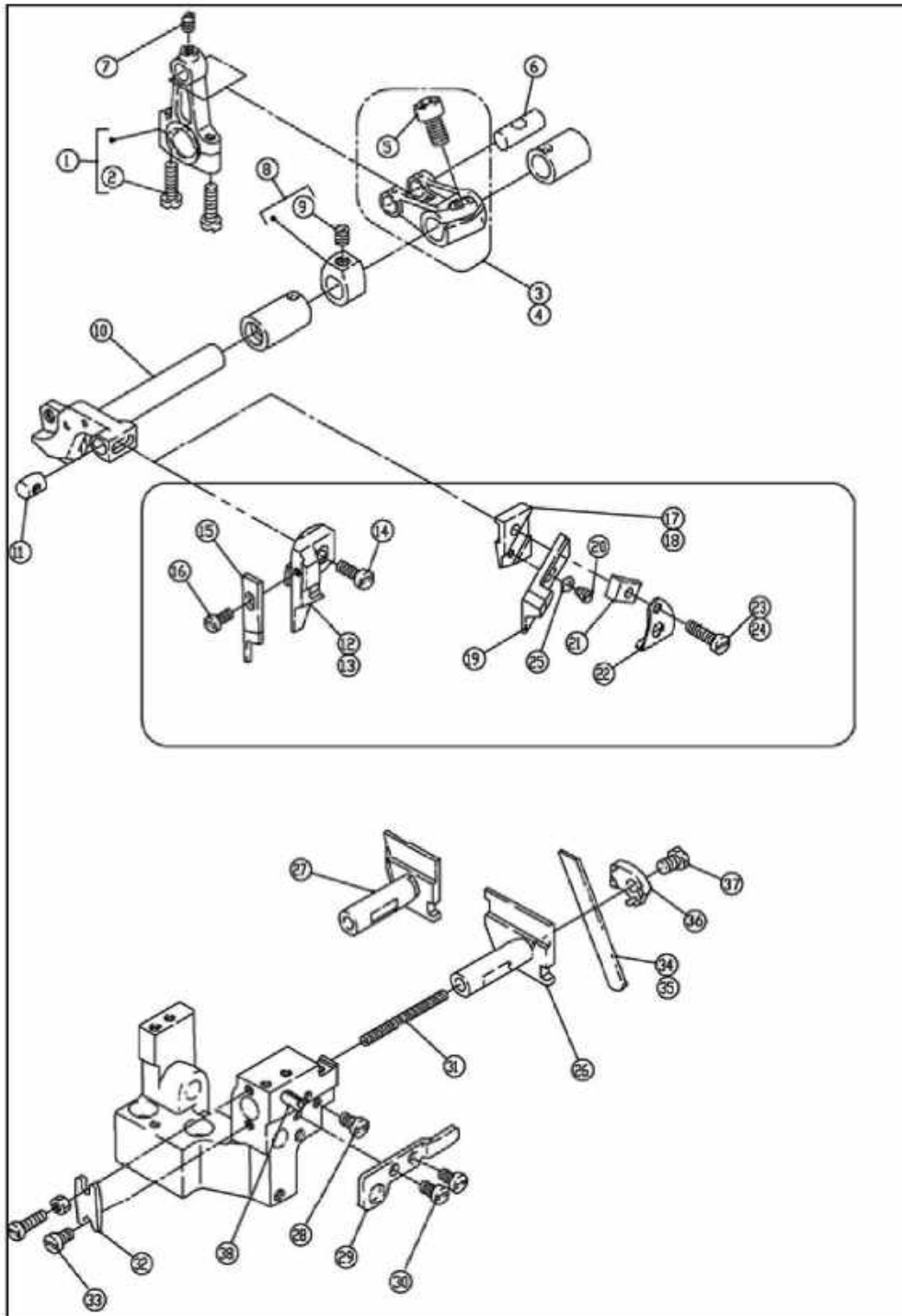
NO.	JIN CODE	NAME	Qty		
			three	four	five
1	JINBF889270507-92	Connection	1	1	1
2	JINBF889272500	Connection	1	1	1
3	JINBF800271001	Pin	1	1	1
4	JINBF8004538	Screw	1	1	1
5	JINBF800240012	Needle Bearing	1	1	1
6	JINBF889272501	Eccent	1	1	1
7	JINBF889210129	Feed Eccent	1	1	1
8	JINBF800210130	Flat Spring	1	1	1
9	JINBF310164535	Screw	2	2	2
10	JINBF889270506-91	Regulator	1	1	1
11	JINBF310164514	Screw	2	2	2
12	JINBF889272503	Spring	1	1	1
13	JINBF8007038	Screw	1	1	1
14	JINBF889272502	Ratchet	1	1	1
15	JINBF889270507	Retaining gear	1	1	1
16	JINBF800272504-91	Eccent Assembly	1	1	1
17	JINBF889272509	Push Button	1	1	1
18	JINBF889240315	Gaket	1	1	1
19	JINBF889240314	Washer	1	1	1
20	JINBF889208949	O Ring	1	1	1
21	JINBF889240317	Spring	1	1	1
22	JINBF31016200555	Ring	1	1	1
23	JINBF889272529	Link	1	1	1
24	JINBF8897058	Screw	1	1	1
25	JINBF889202522	Ring	1	1	1
26	JINBF889272530	Lever	1	1	1
27	JINBF80045331	Screw	1	1	1
28	JINBF889272532	Lever	1	1	1
29	JINBF8007161	Screw	1	1	1
30	JINBF889272533A	Shaft	1	1	1
31	JINBF889204185	O Ring	1	1	1
32	JINBF800272534	Spring	1	1	1
33	JINBF889272535	Regulator Plate	1	1	1
34	JINBF310167021	Screw	2	2	2
35	JINBF889240321	Washer	2	2	2
36	JINBF889252069	Nut	1	1	1
37	JINBF8897059A	Screw	1	1	1
38	JINBF800211301	Washer	1	1	1
39	JINBF889252658	Nut	2	2	2
40	JINBF8007081	Screw	2	2	2
41	JINBF31016303448	Washer	2	2	2
42	JINBF889272538A	Ad justing Bar	1	1	1
43	—	Seal	1	1	1
44	JINBF31016200555	Ring	1	1	1
45	JINBF889240559	Spring	1	1	1
46	JINBF889272539A	Nut	1	1	1

# 15. Feed Mechanism



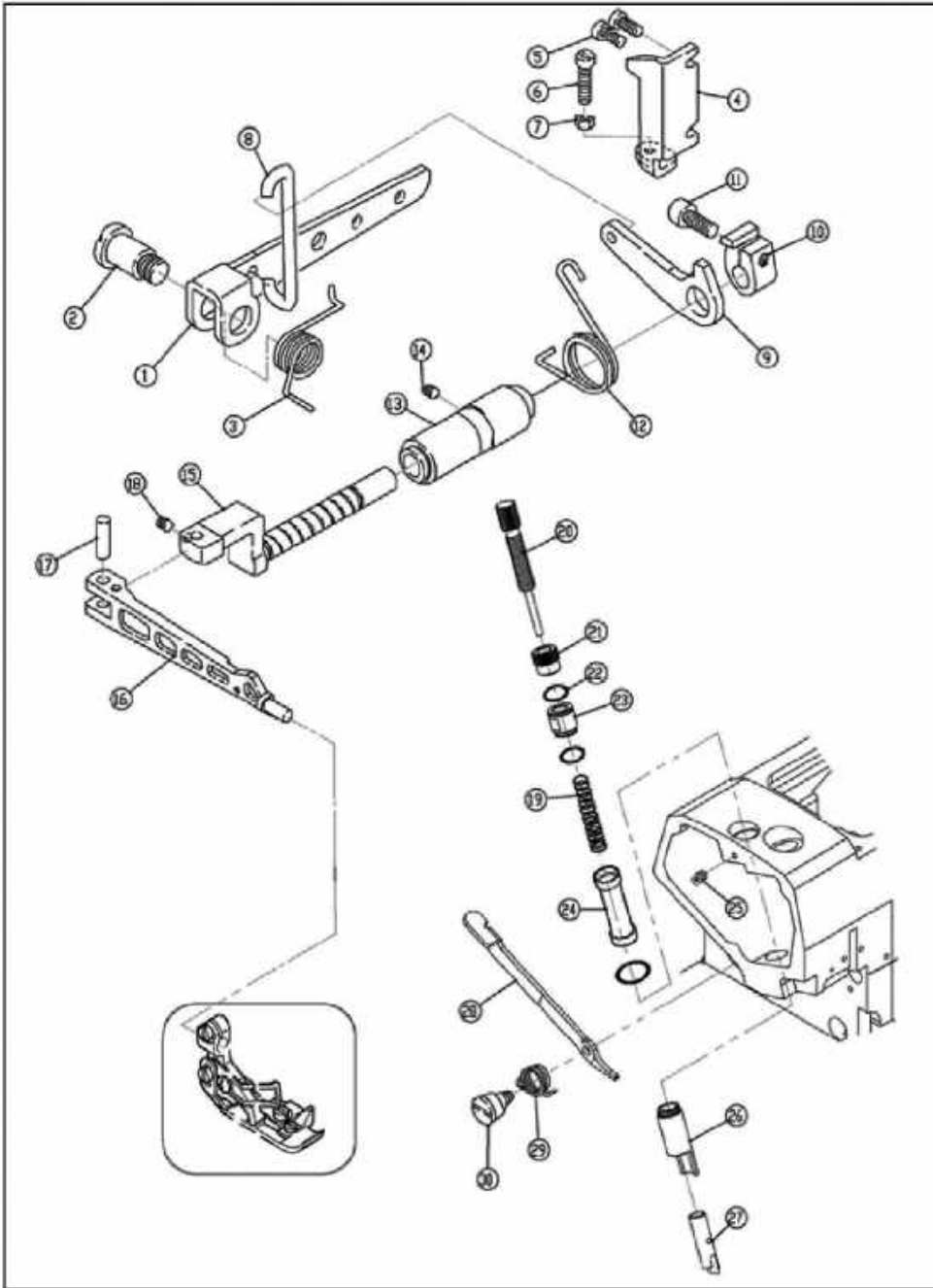
NO.	JIN CODE	NAME	Qty		
			three ether	four ther	five ther
1	JINBF889272516	Shaft	1	1	1
2	JINBF31016205061	Ring	1	1	1
3	JINBF800208173	Oil Seal	1	1	1
4	JINBF800240311	Washer	2	2	2
5	JINBF889272510-91	Crank	1	1	1
6	JINBF889272521	Oil Seal	2	2	2
7	JINBF310167010	Screw	2	2	2
8	JINBF889272515	Pin	1	1	1
9	JINBF889272514-92	Crank	1	1	1
10	JINBF8007010	Screw	2	2	2
11	JINBF80045331	Screw	1	1	1
12	JINBF310164805	Nut	1	1	1
13	JINBF800240062	Washer	1	1	1
14	JINBF889272525	Pin	1	1	1
15	JINBF310164543	Screw	1	1	1
16	JINBF889240319	Ring	1	1	1
17	JINBF889201022	O Ring	1	1	1
18	JINBF889272526	Block	1	1	1
19	JINBF889240303	Collar	2	2	2
20	JINBF8894573	Screw	2	2	2
21	JINBF889272517	Link	1	1	1
22	JINBF889240542	Bushing	1	1	1
23	JINBF8897056	Screw	1	1	1
24	JINBF31016240049	Washer	1	1	1
25	JINBF889YJZJ	Feed Bar Assy	1	1	1
26	JINBF889272527	Wain Feed Dog	1	1	1
27	JINBF889272528	Differential Feed	1	1	1
28	XXXXXX	Main Feed Dog Complete	1	1	1
29	XXXXXX	Auxiliary	1	1	1
30	XXXXXX	Main Feed Dog	1	1	1
31	JINBF310167010	Screw	1	1	1
32	JINBF8007013	Screw	1	1	1
33	XXXXXX	Differential Feed	1	1	1
34	JINBF8007013	Screw	1	1	1
35	JINBF889272524	Block	1	1	1
36	JINBF889ZTYJDG	Feed Bar	1	1	1
37	JINBF8897110	Screw	4	4	4
38	JINBF889272617	Feed Bar Oil Seal	1	1	1

## 16. Knife Drive Mechanism



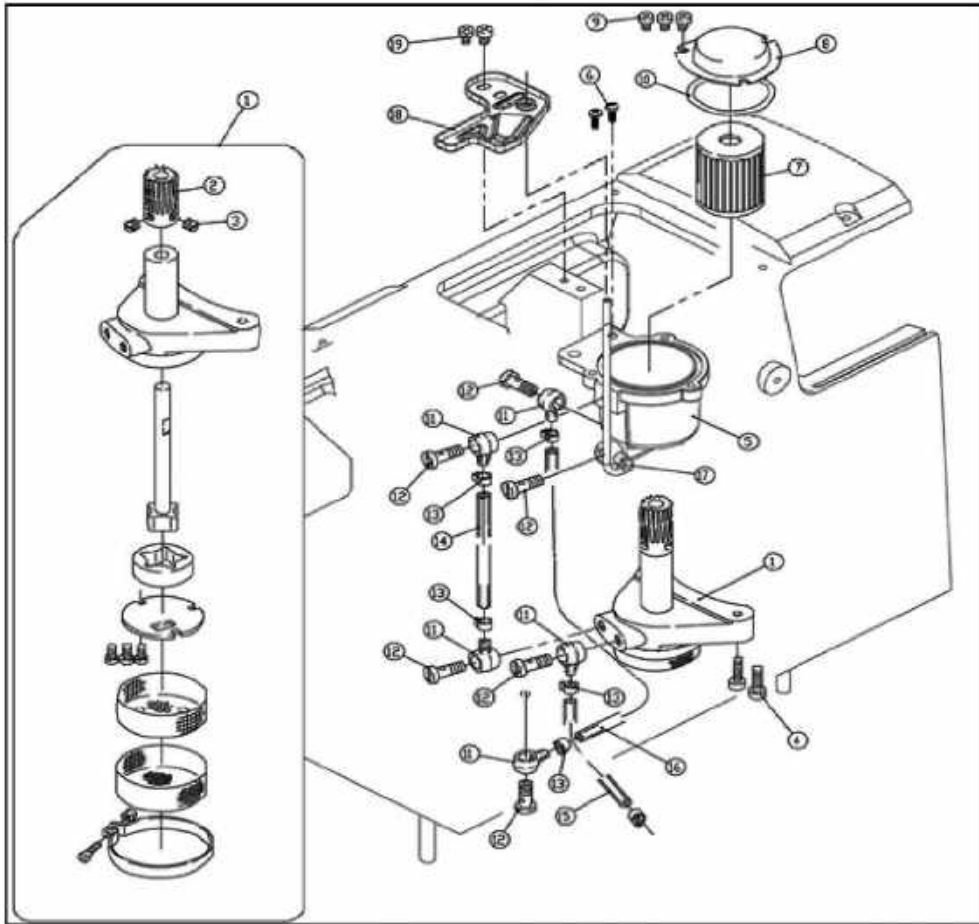
NO.	JIN CODE	NAME	Qty		
			three	four	five
1	JINBF889273000-92	Connection	1	1	1
2	JINBF2002040103	Screw	2	2	2
3	JINBF889273001-92	Crank	1	1	0
4	JINBF889273002-92	Crank	1	1	1
5	JINBF80045331	Screw	1	1	1
6	JINBF800271001	Pin	1	1	1
7	JINBF8004538	Screw	1	1	1
8	JINBF3202624023592	Collar	1	1	1
9	JINBF310164547	Screw	1	1	1
10	JINBF889273003	Upper Knife Lever	1	1	1
11	JINBF889273006	Pin	1	1	1
12	JINBF889179712	Upper Knife Clamp	1	1	0
13	JINBF889179713	Upper Knife Clamp	0	0	1
14	JINBF310167021	Screw	1	1	1
15	JINBF700M1311	Upper Knife	1	1	1
16	JINBF310167021	Screw	1	1	1
17	JINBF889210756	Angled Upper Knife	1	1	0
18	JINBF889210757	Angled Upper Knife	0	0	1
19	JINBF889211662	Angled Upper	0	0	1
20	JINBF8007008	Screw	0	0	1
21	JINBF889210758	Angled Upper Knife	0	0	1
22	JINBF889179341-15	Waste Guard	0	0	1
23	JINBF310167023	Screw	1	1	0
24	JINBF310167213	Screw	0	0	1
25	JINBF889300248	Waste	0	0	1
26	JINBF889273009	Lower Knife Holder	1	1	0
27	JINBF889273009	Lower Knife Holder	0	0	1
28	JINBF8007019	Screw	1	1	1
29	JINBF889273010	Plate	1	1	1
30	JINBF8007019	Screw	2	2	2
31	JINBF889240324	Spring	1	1	1
32	JINBF889273007	Plate	1	1	1
33	JINBF8007019	Screw	1	1	1
34	JINBF700M1317	Lower Knife	1	1	1
35	JINBF889277009	Lower Knife	1	1	1
36	JINBF889273012	Lower Knife Clamp	1	1	1
37	JINBF8897173	Screw	1	1	1

## 17. Presser Foot Mechanism



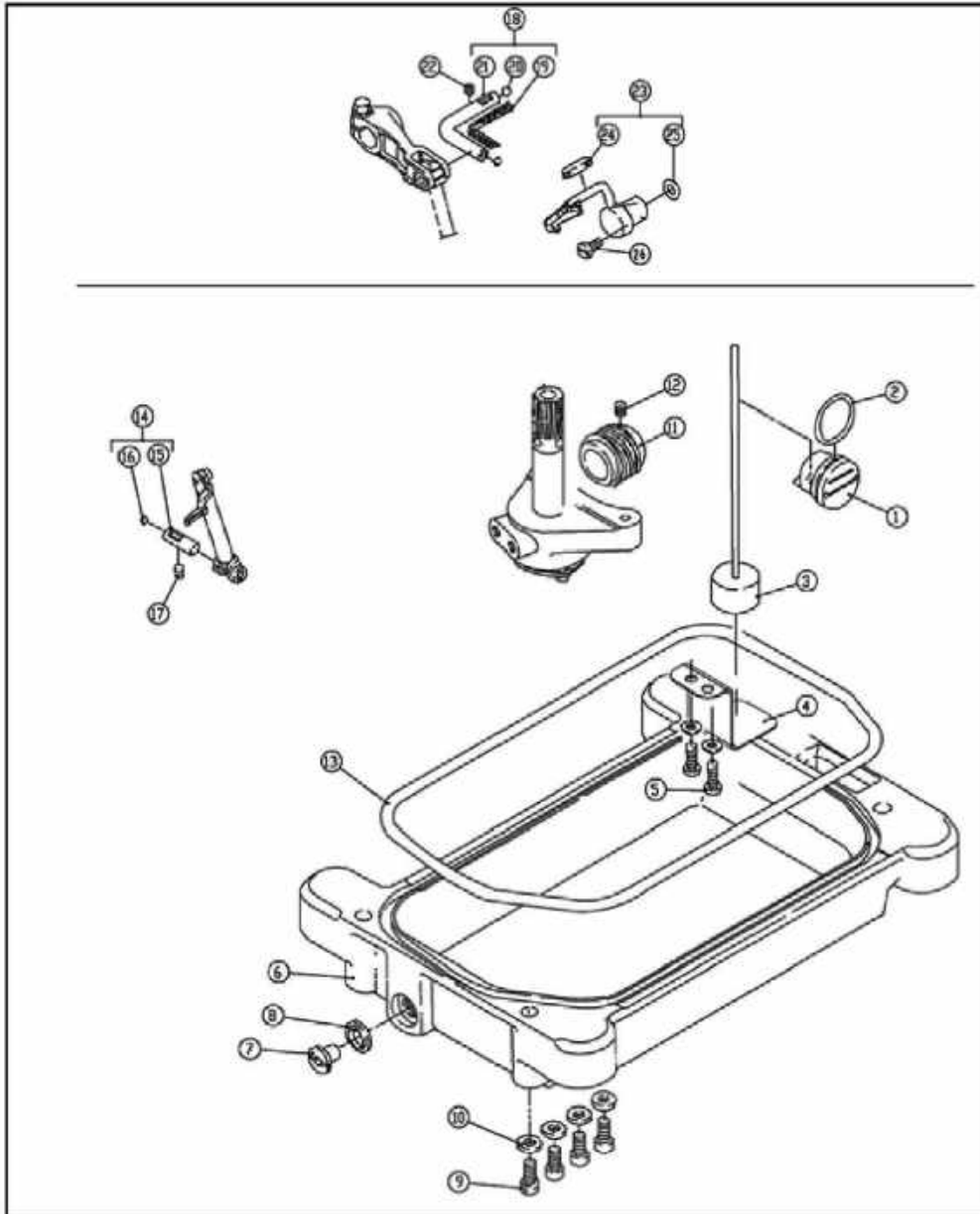
NO.	JIN CODE	NAME	Qty		
			three	four	five
1	JINBF889274007	Lever	1	1	1
2	JINBF8897060	Screw	1	1	1
3	JINBF889274008	Spring	1	1	1
4	JINBF889274009	Stopper	1	1	1
5	JINBF8007019	Screw	2	2	2
6	JINBF8007175	Screw	1	1	1
7	JINBF310164805	Nut	1	1	1
8	JINBF800274006	Link	1	1	1
9	JINBF800274004	Lever	1	1	1
10	JINBF700KS22	Cillar	1	1	1
11	JINBF700S101	Screw	1	1	1
12	JINBF889274005A	Spring	1	1	1
13	JINBF889ZT09	Bushing	1	1	1
14	JINBF310164543	Screw	1	1	1
15	JINBF889274001	Shaft	1	1	1
16	JINBF889274000B	Presser Arm	1	1	1
17	JINBF889208549	Pin	1	1	1
18	JINBF310164543	Screw	1	1	1
19	JINBFX52087731	Spring	1	1	1
20	JINBFX52740141	Adjusting Screw	1	1	1
21	JINBFX52740151	Nut	1	1	1
22	JINBFX51732	O Ring	3	3	3
23	JINBFKR2221	Bushing	1	1	1
24	JINBFKR2220	Bushing	1	1	1
25	JINBF310164543	Screw	1	1	1
26	JINBFX50201	Bushing	1	1	1
27	JINBFX52740111	Lever	1	1	1
28	JINBFX5274016A1	Lever	1	1	1
29	JINBFX52740171	Spring	1	1	1
30	JINBF700KS78	Screw	1	1	1

## 18. Lubrication Mechanism (one)



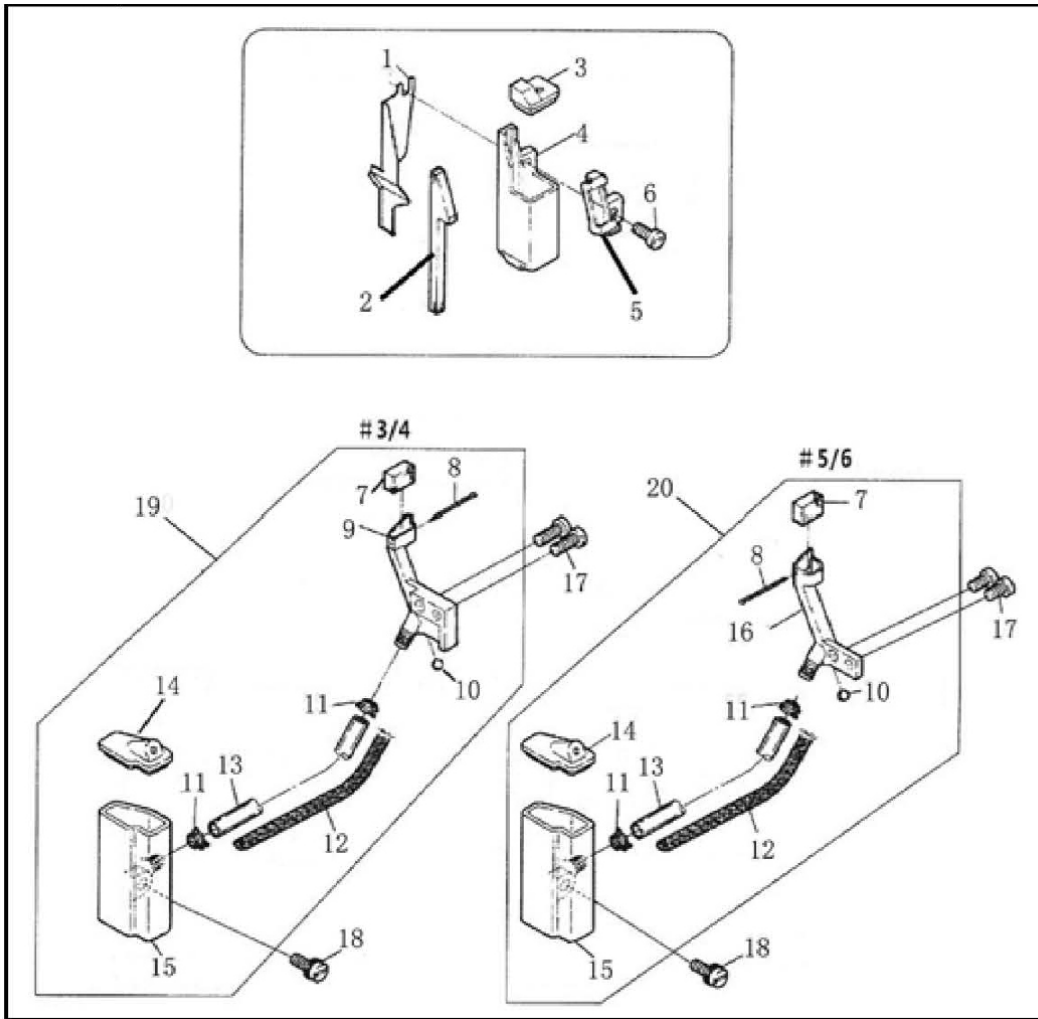
NO.	JIN CODE	NAME	Qty		
			three	four	five
1	JINBF889274505A91	Pump	1	1	1
2	JINBF889211618	Worm Wheel	1	1	1
3	JINBF8895060	Screw	2	2	2
4	JINBF8004529	Screw	2	2	2
5	JINKR1810	Tank	1	1	1
6	JINBF310167022	Screw	2	2	2
7	JINBF700M156	Filter Element	1	1	1
8	JINBF889274510	Oil Clearer	1	1	1
9	JINBF8007019	Screw	1	1	1
10	JINBF889240307	Seal Ring	1	1	1
11	-- --	Joint	5	5	5
12	JINBF800240328	Joint Screw	6	6	6
13	JINBF800240328	Screw	1	1	1
14	-- --	Tube	1	1	1
15	-- --	Tube	1	1	1
16	-- --	Tube	1	1	1
17	JINKR1832	Screw	1	1	1
18	JINKR1831	Oil Gusrd	1	1	1
19	JINBF80007130	Screw	2	2	2

## 19. Lubrication Mechanism (two)



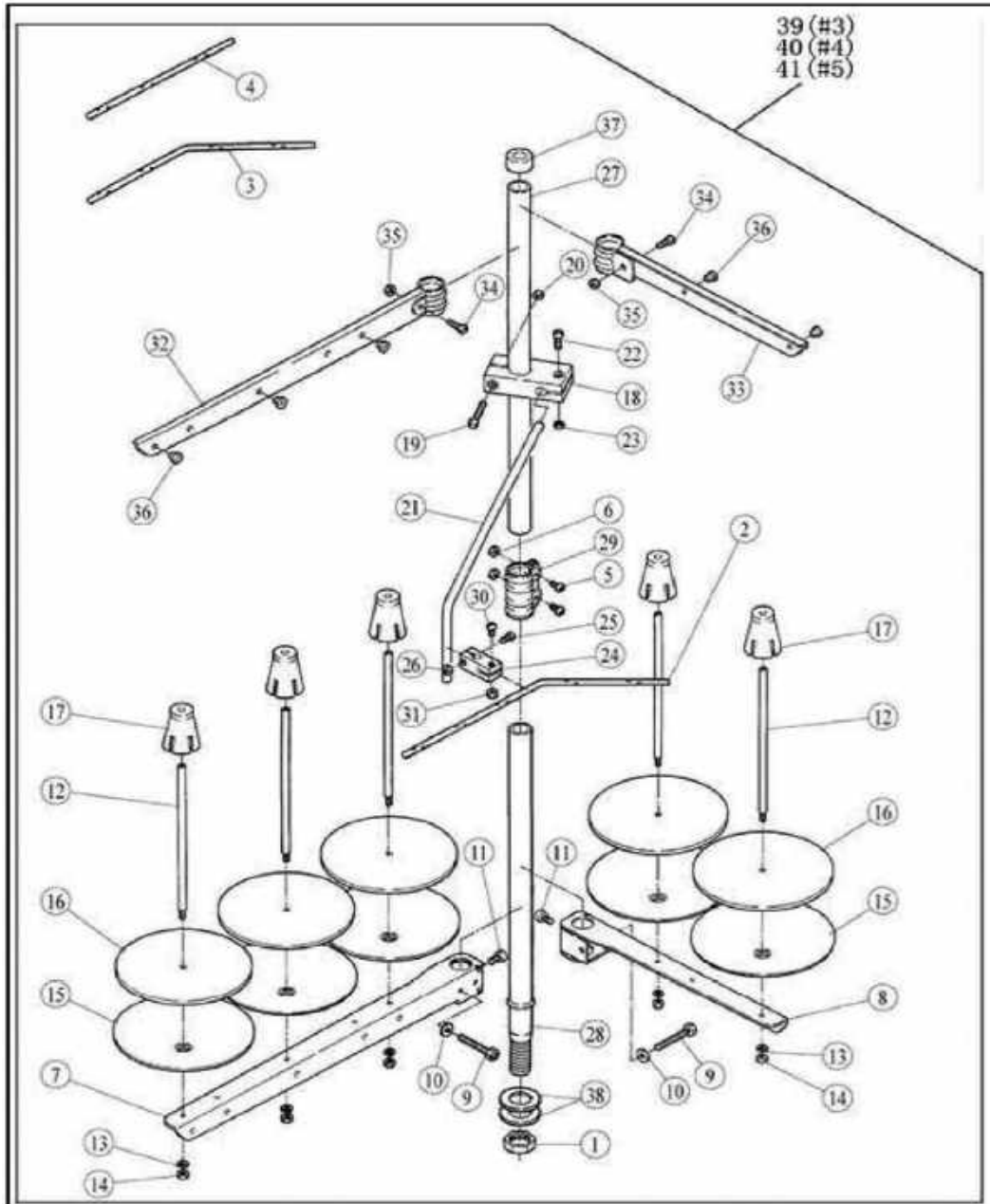
NO.	JIN CODE	NAME	Qty		
			three ether	four ther	five ther
1	JINBF889274502	OIL SIGHT GAUGE	1	1	1
2	JINBF889230043	O Ring	1	1	1
3	JINBFX5210193A92	Indicator Complete	1	1	1
4	JINKR1904	OIL INDICATOR SUPP	1	1	1
5	JINBF310167021	Screw	2	2	2
6	JINBF889274503-91	Oil Reservoir	1	1	1
7	JINBF8005318B	Screw	1	1	1
8	JINBF800202287A	Washer	1	1	1
9	JINBF310164531	Screw	4	4	4
10	JINBF800240339	Washer	4	4	4
11	JINBF889274507	Worm	1	1	1
12	JINBF310164514	Screw	1	1	1
13	JINBF889274501	Gasket	1	1	1
14	JINBF889274514	Pipe Assy	1	1	1
15	— —	Oil Wick	0.04	0.04	0.04
16	JINBF889240038	Rubber Plug	1	1	1
17	JINBF310164543	Screw	2	2	2
18	JINBF889274516-91	Pipe	1	1	1
19	— —	Oil Wick	0.04	0.04	0.04
20	JINBF889240097	Rubber Plug	2	2	2
21	JINBF889274513	Pipe	1	1	1
22	JINBF310164543	Screw	2	2	2
23	JINBF889274523-91	Joint	1	1	1
24	JINBF889274522	Felt	1	1	1
25	JINBF889204185	O Ring	1	1	1
26	JINBF8894543	Screw	1	1	1

## 20. H.R. Device



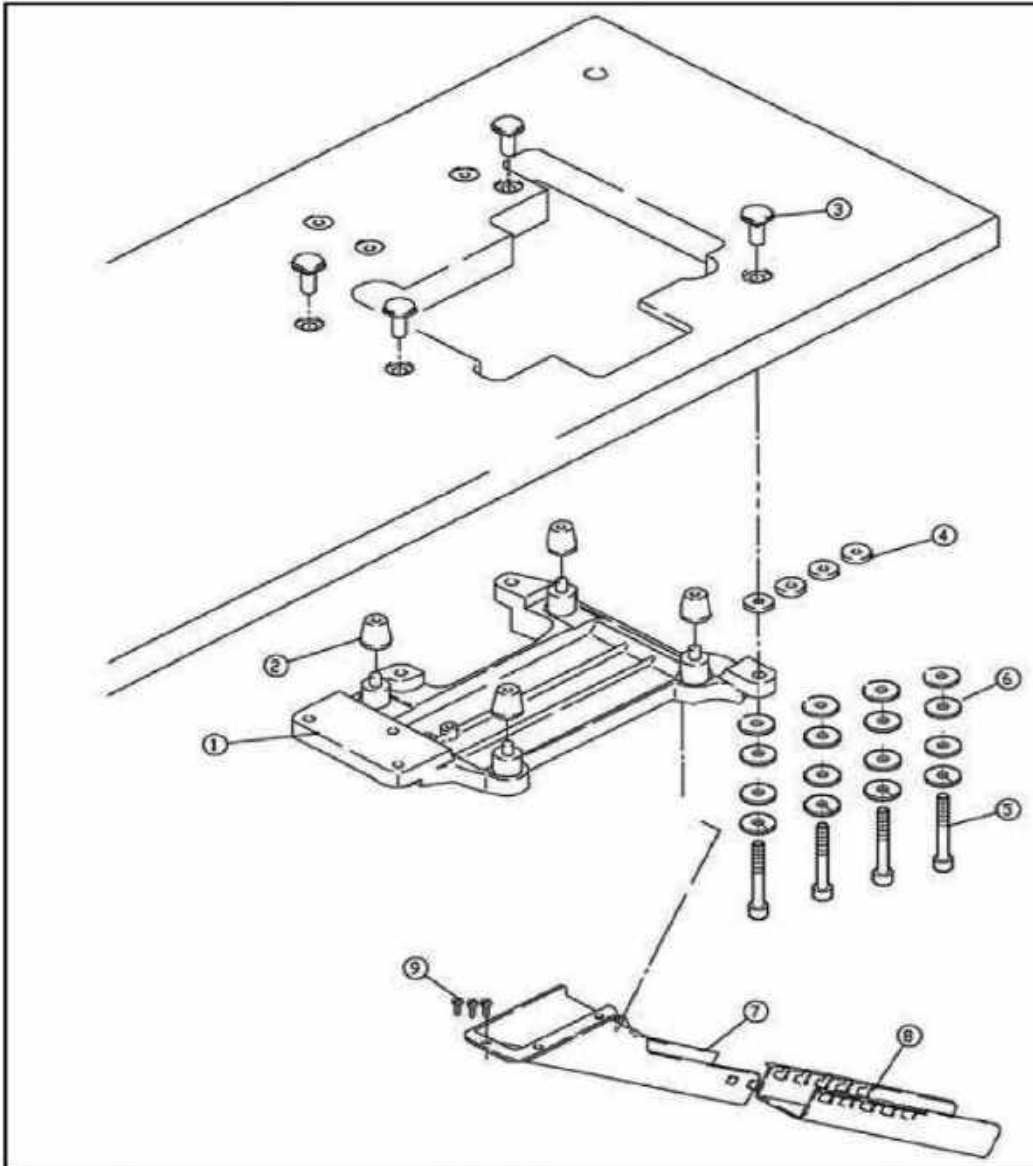
NO.	JIN CODE	NAME	Qty		
			three	four	five
1	JINBF889270084	Cover	1	1	1
2	JINBF889275508	Felt	1	1	1
3	JINBF889275501	Cover	1	1	1
4	JINBF889275500	Silicone Oil Reservoir	1	1	1
5	JINBF889275507	Thread Guide	1	1	1
6	JINBF310167020	Screw	1	1	1
7	JINBF889204466	Felt	1	1	1
8	JINBF889210766	Pin	1	1	1
9	JINBF8892755061	Needle Thread Lubricator	1	1	0
10	JINBF889210214	Plug	1	1	1
11	JINBF889200155	Clamp	2	2	2
12	JINBF889202175	Felt	1	1	1
13	JINBF889240331	Tube	1	1	1
14	JINBF889275505	Cover	1	1	1
15	JINBF889275504	Silicone Oil Reservoir	1	1	1
16	JINBF8892755091	Needle Thread Lubricator	0	0	1
17	JINBF8007091	Screw	2	2	2
18	JINBF310167020	Screw	2	2	2
19	JINBF889275506	Silicone Oil Reservoir	1	1	0
20	JINBF889275509	Silicone Oil Reservoir	0	0	1

## 21. Thread Stand



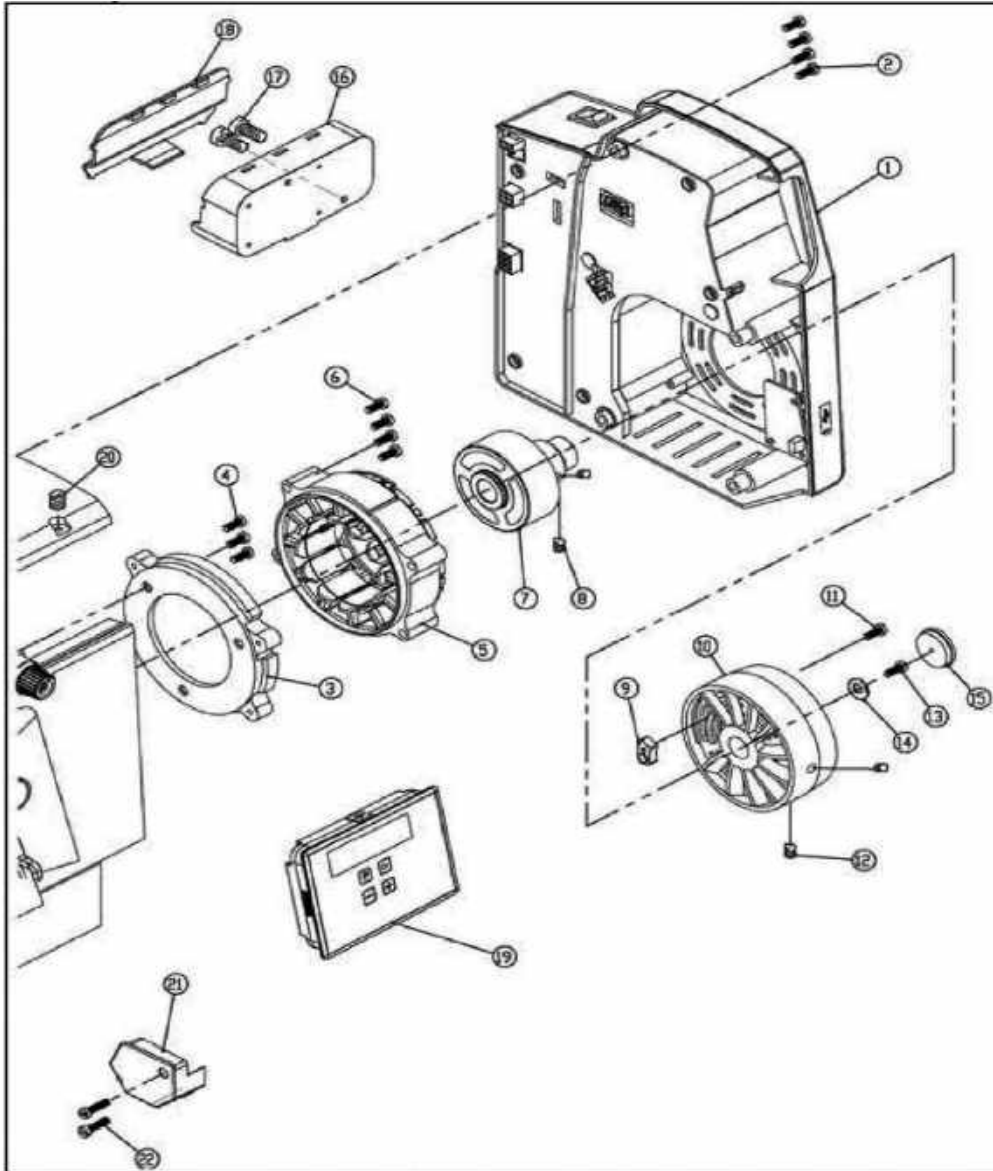
NO.	JIN CODE	NAME	Qty		
			three	four	five
1	JINBF8894835	Nut	1	1	1
2	JINBF889293A	Thread Guide 5-Spool	0	0	1
3	JINBF889293B	Thread Guide 4-Spool	0	1	0
4	JINBF889293C	Thread Guide 3-Spool	1	0	0
5	JINBF8894021	Screw	2	2	2
6	JINBF8894067	Nut	2	2	2
7	JINBF889505-PA	Thread Hanger	1	1	1
8	JINBF889505APA	Thread Hanger	1	1	1
9	JINBF8897102	Screw	2	2	2
10	JINBF889512	Washer	2	2	2
11	JINBF8894022	Screw	2	2	2
12	JINBF889380A	Spool Pin	6	6	6
13	JINBF889201252	Spring Washer	6	6	6
14	JINBF8894803	Nut	6	6	6
15	JINBF889381-PA	Spool Seat Disc	6	6	6
16	JINBF889507	Spool Cushion	6	6	6
17	JINBF889382-PA	Spool Cushion	6	6	6
18	JINBF889383-PA	Holder	1	1	1
19	JINBF8894014	Screw	1	1	1
20	JINBF8894803	Nut	1	1	1
21	JINBF889384	Thread Guide Arm	1	1	1
22	JINBF8894012	Screw	1	1	1
23	JINBF8894803	Nut	1	1	1
24	JINBF889233-PA	Holder	1	1	1
25	JINBF8894012	Screw	1	1	1
26	JINBF8894803	Nut	1	1	1
27	JINBF889502-PA	Column Pipe Upper	1	1	1
28	JINBF889503-PA	Column Pipe Lower	1	1	1
29	JINBF889504-PA	Joint	1	1	1
30	JINBF8894012	Screw	1	1	1
31	JINBF8894803	Nut	1	1	1
32	JINBF889527-PA	Thread Hanger	1	1	1
33	JINBF889527APA	Thread Hanger	1	1	1
34	JINBF8894021	Screw	2	2	2
35	JINBF8894067	Nut	2	2	2
36	JINBF889506	Thread Eyelet	6	6	6
37	JINBF889386	Rod Cap	1	1	1
38	JINBF889509	Washer	2	2	2
39	JINBF7003M17	Thread Stand Componen	1	0	0
40	JINBF7004M17	Thread Stand Componen	0	1	0
41	JINBF7005M17	Thread Stand Componen	0	0	1

## 22. Parts For Semi-Submerged Installation



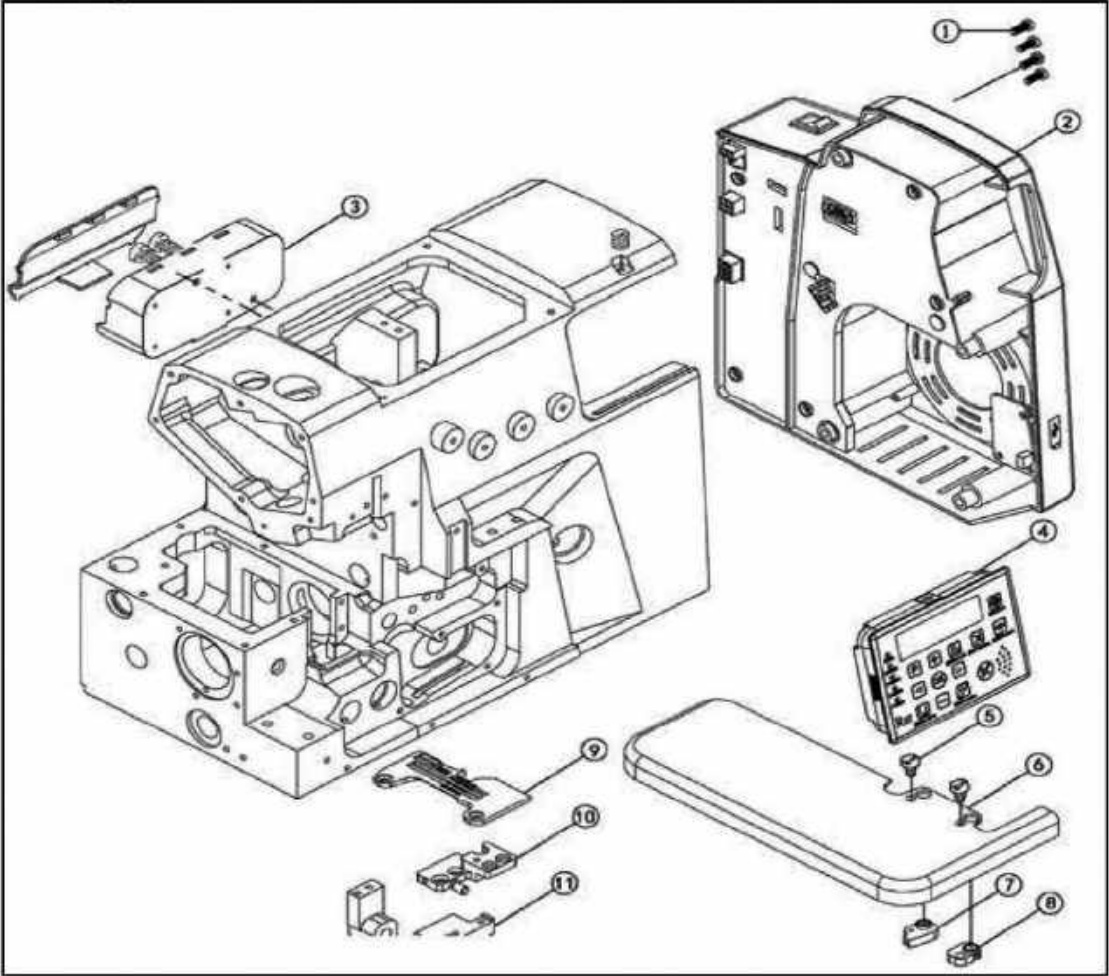
NO.	JIN CODE	NAME	Qty		
			three ethe	four ther	five ther
1	JINBF889276001	Rest Board	1	1	1
2	JINBFX5179483	Cushion Rubber	4	4	4
3	JINBF8892206336	Nut	4	4	4
4	JINBF700M186	Washer	4	4	4
5	JINBF700M184	Screw	4	4	4
6	JINBF889206337	Washer	16	16	16
7	JINBF889276002	Waste Chute	1	1	1
8	JINBF8892760022	Funnel	1	1	1
9	JINBF8894904	Screw	3	3	3

### 23. Electronic Control Parts (one)



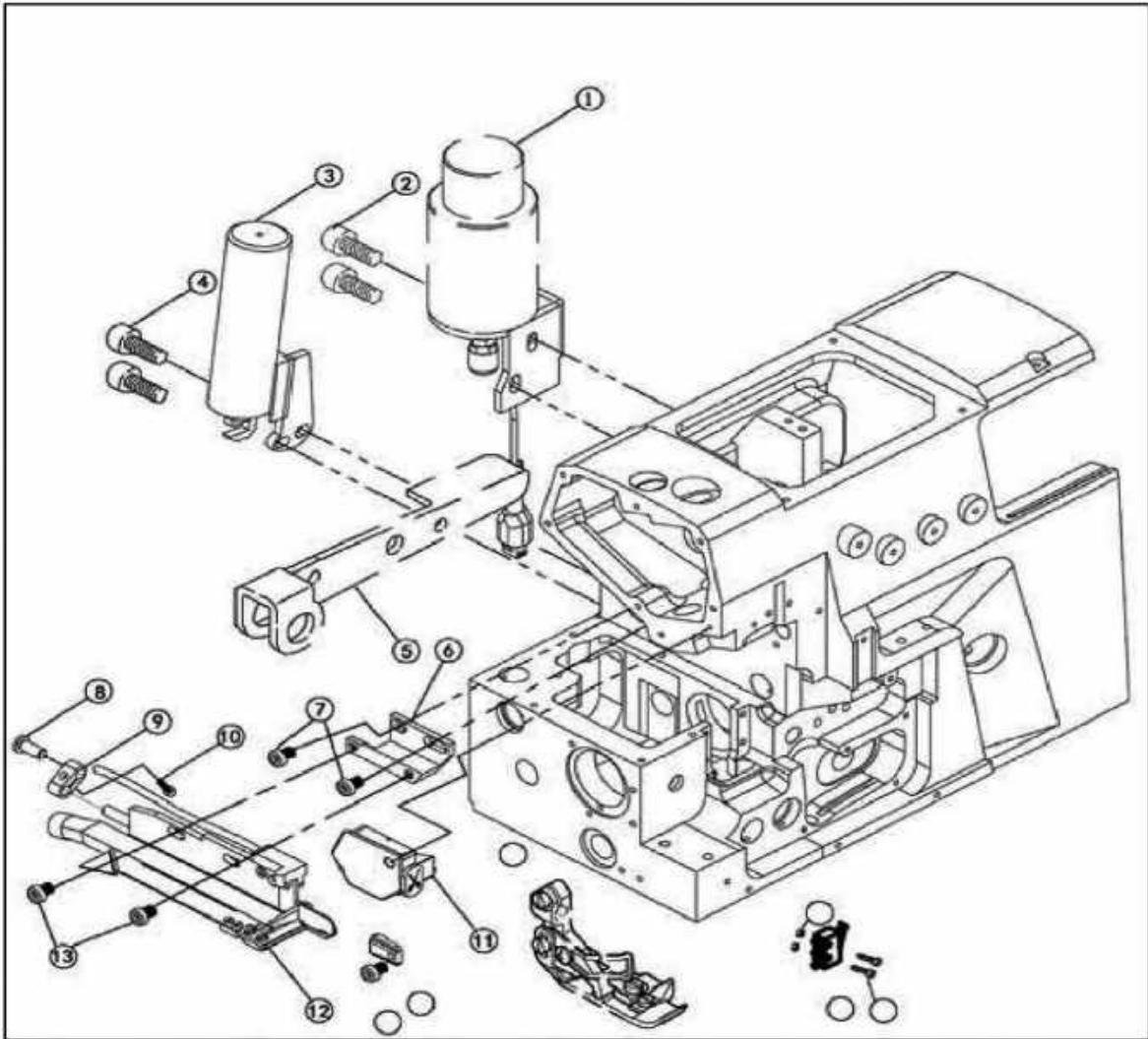
NO.	JIN CODE	NAME	Qty		
			three ethe	four ther	five ther
1	JINBFR1TZDK	CONTROLLER	1	1	1
2	JINPFQ50145	Screw	4	4	4
3	JINKRDJZ	Base	1	1	1
4	JINKR2304	Screw	3	3	3
5	JINKR2305	Motor Stator	1	1	1
6	JINKR2306	Screw	4	4	4
7	JINKR2307	Motor Rotor	1	1	1
8	JINKR2308	Screw	2	2	2
9	JINKR2309	Magnetic Iron	1	1	1
10	JINKR2310	Screw	1	1	1
11	JINPFQ50224	Screw	1	1	1
12	JINBF310164514	Screw	2	2	2
13	JINBF8004534	Screw	1	1	1
14	JINBFXSLDP	Washer	1	1	1
15	JINBFXSLJS	Plug	1	1	1
16	JINBFR1TZJH	Case	1	1	1
17	JINBF310167220	Screw	2	2	2
18	JINBFR1TZJHG	Cover	1	1	1
19	JINBFR1TCZMB	Operation Panel	1	1	1
20	JINBF310164543	Screw	1	1	1
21	JINBFR1TDZJ	Floodlight	1	1	1
22	JINPF9802D26	Screw	1	1	1

24. Electronic Control Parts (two)



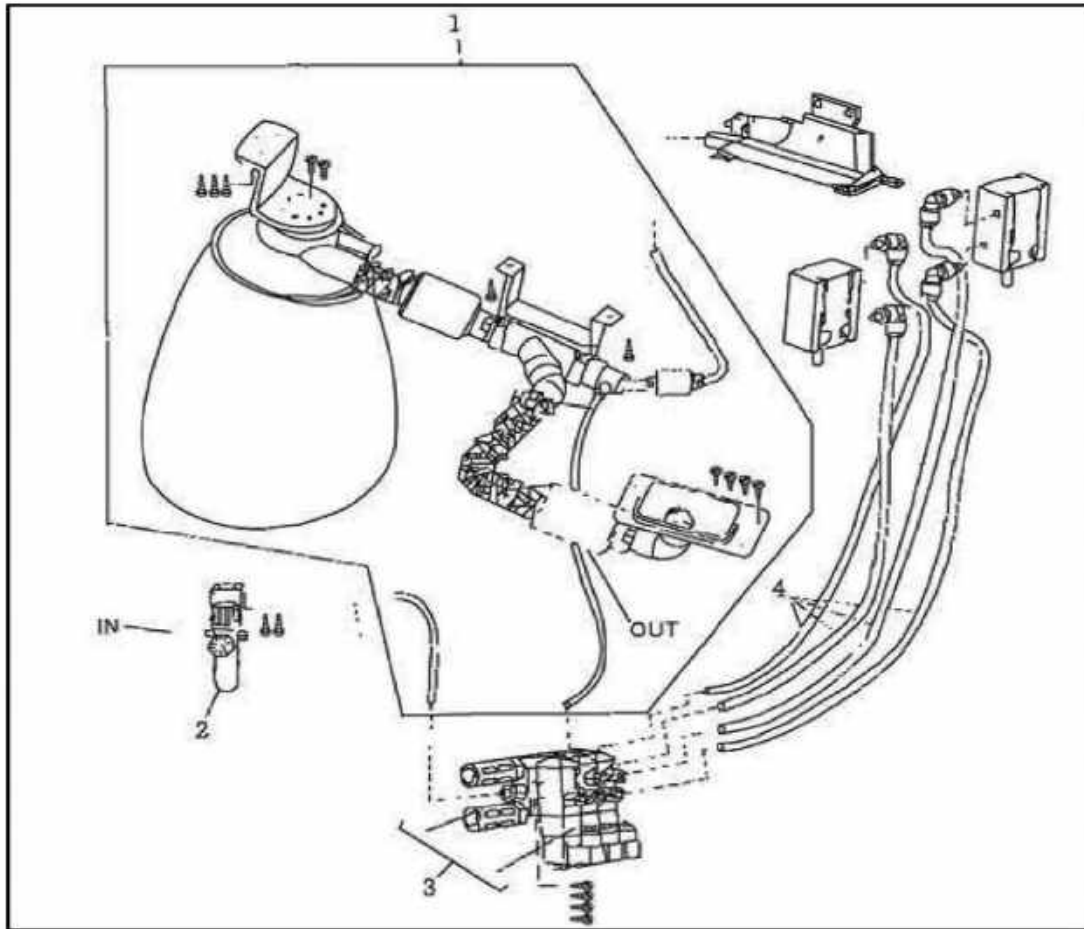
NO.	JIN CODE	NAME	Qty		
			three ether	four ther	five ther
1	JINPFQ50145	Screw	4	4	4
2	JINBFR5TZDK	Controller	1	1	1
3	JINBFR5TZJH	Cover	1	1	1
4	JINBFR5TCZMB	Operation Panel	1	1	1
5	JINBF7007014	Screw	1	1	1
6	JINBF889UT270037	Cloth Plate-UT	1	1	1
7	JINKRXGYZJ	Lower Inductor	1	1	1
8					
9	XXXXXX	Needle Plate-UT	1	1	1
10	JINBF889UT271010	Bracket	1	1	1
11	JINBF889UTDZZJ	Bracket Assembly	1	1	1

## 25. Automatic Trimming Parts



NO.	JIN CODE	NAME	Qty		
			three	four	five
1	JINKRDCY-YT	Electromagnet Assembl	1	1	1
2	JINBF8004510	Screw	1	1	1
3	JINKRDY-IX	Electromagnet Assembl	1	1	1
4	JINBF8004510	Screw	1	1	1
5	JINBF889UT274007	Lever	1	1	1
6	JINKRDZDZ	Bracket	1	1	1
7	JINBF140406-28	Screw	1	1	1
8	JINBF889UTQX	Pin	1	1	1
9	JINKRDZQB	Grank	1	1	1
10	JINKR2410	Screw	1	1	1
11	JINBFR5TSGY	Up Inductor	1	1	1
12	JINBFX5YTJXDZJ	Cutter Assembly	1	1	1
13	JINBF700S033	Screw	1	1	1
14	JINKR2514	Screw	1	1	1
15	JINKR2515	Safety Switch-1	1	1	1
16	JINKR2516-91	Presser Foot-UT	0	1	0
17	JINNK-620250200-4	Knob	1	1	1
18	JINKR2518	Safety Switch-2	1	1	1
19	JINSK-410251202-4	Screw	1	1	1

## 26. Specific Parts



NO.	JIN CODE	NAME	Qty		
			three ethe	four ther	five ther
1	JINBF889UT-ICZZ	Dust Collection Device	1	1	1
2	JINBF889YTQ-OFRM	Pressure Gauge	1	1	1
3	JINBF889UTQ-DCF-3	Electromagnetic Valve	1	1	1
4	JINBFPU6	Tube	4	4	4

## 27. Gauge sets

3/4Standard measurement parts table



MACHINE TYPE /SPEC	GAUGE		NEEDLE PLATE	MAIN FEED DOG ASSM	MAIN FEED DOG	AUX FEED DOG	DIFF FEED DOG	PRESSER FOOT ASSM	PRESSER FOOT FINGER	UPPER LOOPER	LOWER LOOPER
	NG	SW									
M1-3045F	-	4	JINBF889UT277504R40-UT	JINBF889 277303/305-1	JINBF889 277303/303-2	JINBF889 277303/305-2	JINBF889 277303/303-4	JINBF889UT 201230C/371UT	JINBF889 277010-5#	JINBF889 277015	
M1-4245F	2	4	JINBF889UT277505R40-UT	JINBF889 277303/305-1	JINBF889 277303/303-2	JINBF889 277303/305-2	JINBF889 277303/303-4	JINBF889UT 201230C/374UT	JINBF889 277010-5#	JINBF889 277015	
-	2	4	JINBF889UT277505R40-UT	JINBF889 277303/305-1	JINBF889 277303/303-2	JINBF889 277303/305-2	JINBF889 277303/303-4	JINBF889UT 201230C/374UT	JINBF889 277010-5#	JINBF889 277017	




MACHINE TYPE /SPEC	GAUGE		UPPER KNIFE		LOWER KNIFE	OVERLOCK NEEDLE GUARD		NEEDLE HOLDER	NEEDLE
	NG	SW	FLAT KNIFE	ANGLED KNIFE		FRONT	REAR		
M1-3045F	-	4	JINBF700 M1311	-	JINBF700 M1317	JINBF889 277005	JINBF889 277004	JINBF889 179630	JINBF700 11JZ
M1-4245F	2	4	JINBF700 M1311	-	JINBF700 M1317	JINBF889 277005	JINBF889 277004	JINBF889 277022	JINBF700 11JZ
-	2	4	JINBF889 277000	-	JINBF889 277009	JINBF889 277005	JINBF889 277004	JINBF889 277022	JINBF700 14JZ

3/4Standard measurement parts table




MACHINE TYPE /SPEC	GAUGE		NEEDLE PLATE	MAIN FEED DOG ASSM	MAIN FEED DOG	AUX FEED DOG	DIFF FEED DOG	PRESSER FOOT ASSM	PRESSER FOOT FINGER	UPPER LOOPER	LOWER LOOPER
	NG	SW									
M1-304NS	-	4	JINBF889277504R40	JINBF889 277303/305-1	JINBF889 277303/303-2	JINBF889 277303/305-2	JINBF889 277303/303-4	JINBF889201230C/371	JINBF889 277010-5#	JINBF889 277015	
M1-424NS	2	4	JINBF889277505R40	JINBF889 277303/305-1	JINBF889 277303/303-2	JINBF889 277303/305-2	JINBF889 277303/303-4	JINBF889277112	JINBF889 277010-5#	JINBF889 277015	
-	2	4	JINBF889277505R40F	JINBF889 277303/305-1	JINBF889 277303/303-2	JINBF889 277303/305-2	JINBF889 277303/303-4	JINBF889277112	JINBF889 277010-5#	JINBF889 277017	



MACHINE TYPE /SPEC	GAUGE		UPPER KNIFE		LOWER KNIFE	OVERLOCK NEEDLE GUARD		NEEDLE HOLDER	NEEDLE
	NG	SW	FLAT KNIFE	ANGLED KNIFE		FRONT	REAR		
M1-304NS	-	4	JINBF700 M1311	-	JINBF700 M1317	JINBF889 277005	JINBF889 277004	JINBF889 179630	JINBF700 11JZ
M1-424NS	2	4	JINBF700 M1311	-	JINBF700 M1317	JINBF889 277005	JINBF889 277004	JINBF889 277022	JINBF700 11JZ
-	2	4	JINBF889 277000	-	JINBF889 277009	JINBF889 277005	JINBF889 277004	JINBF889 277022	JINBF700 14JZ

5Standard measurement parts table



MACHINE TYPE /SPEC	GAUGE		NEEDLE PLATE	MAIN FEED DOG ASSM	MAIN FEED DOG	AUX FEED DOG	DIFF FEED DOG	PRESSER FOOT ASSM	UPPER LOOPER	LOWER LOOPER	CHAINSTITCH LOOPER	
	NG	SW										
M1-535SF	3	4	JINBF889UT277517R40-UT	JINBF889 277320/327-1	JINBF889 277320/327-2	JINBF889 277320/327-3	JINBF889 277320/327-4	JINBF889 277118	JINBF889 277010-5#	-	JINBF889 277015	JINBF889 277018
-	5	5	JINBF889UT277516R50-UT	JINBF889 277327/329-1	JINBF889 277327/329-2	JINBF889 277327/329-3	JINBF889 277327/329-4	JINBF889 277119	JINBF889 277010-5#	-	JINBF889 277015	JINBF889 277018
-	5	6	JINBF889UT277524T60-UT	JINBF889 277327/329-1	JINBF889 277327/329-2	JINBF889 277327/329-3	JINBF889 277327/329-4	JINBF889 277122	JINBF889 277010-5#	-	JINBF889 277017	JINBF889 277018





















MACHINE TYPE /SPEC	GAUGE		UPPER KNIFE		LOWER KNIFE	OVERLOCK NEEDLE GUARD		OVERLOCK NEEDLE GUARD		NEEDLE HOLDER	NEEDLE
	NG	SW	FLAT KNIFE	ANGLED KNIFE		FRONT	REAR	FRONT	REAR		
MI-535SF	3	4	JINBF700M1311		JINBF700 M1317	JINBF889 277007	JINBF889 277004	JINBF889 277008	JINBF889 277006	JINBF889 277027	JINBF700 14JZ
-	5	5	JINBF700M1311		JINBF700 M1317	JINBF889 277007	JINBF889 277004	JINBF889 277008	JINBF889 277006	JINBF889 277027	JINBF700 14JZ
-	5	6	JINBF889277009		JINBF889 277009	JINBF889 277007	JINBF889 277004	JINBF889 277008	JINBF889 277006	JINBF889 277029	JINBF700 18JZ

5Standard measurement parts table

MACHINE TYPE /SPEC	GAUGE		NEEDLE PLATE	MAIN FEED DOG ASSM	MAIN FEED DOG	AUX FEED DOG	DIFF FEED DOG	PRESSER FOOT ASSM	UPPER LOOPER	UPPER LOOPER	LOWER LOOPER	CHAINSTITCH LOOPER
	NG	SW										
MI-535NS	3	4	JINBF889277517R40	JINBF889 277330/327-1	JINBF889 277330/327-2	JINBF889 277331/327-3	JINBF889 277332/327-4	JINBF889 277118	JINBF889 277010-5#	-	JINBF889 277015	JINBF889 277018
-	5	5	JINBF889277516R50	JINBF889 277327/329-1	JINBF889 277327/329-2	JINBF889 277327/329-3	JINBF889 277327/329-4	JINBF889 277119	JINBF889 277010-5#	-	JINBF889 277015	JINBF889 277018
-	5	6	JINBF889277524T60	JINBF889 277327/329-1	JINBF889 277327/329-2	JINBF889 277327/329-3	JINBF889 277327/329-4	JINBF889 277122	JINBF889 277010-5#	-	JINBF889 277017	JINBF889 277018






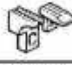














MACHINE TYPE /SPEC	GAUGE		UPPER KNIFE		LOWER KNIFE	OVERLOCK NEEDLE GUARD		OVERLOCK NEEDLE GUARD		NEEDLE HOLDER	NEEDLE
	NG	SW	FLAT KNIFE	ANGLED KNIFE		FRONT	REAR	FRONT	REAR		
MI-535NS	3	4	JINBF700M1311		JINBF700 M1317	JINBF889 277007	JINBF889 277004	JINBF889 277008	JINBF889 277006	JINBF889 277027	JINBF700 14JZ
-	5	5	JINBF700M1311		JINBF700 M1317	JINBF889 277007	JINBF889 277004	JINBF889 277008	JINBF889 277006	JINBF889 277027	JINBF700 14JZ
-	5	6	JINBF889277000		JINBF889 277009	JINBF889 277007	JINBF889 277004	JINBF889 277008	JINBF889 277006	JINBF889 277029	JINBF700 18JZ

6Standard measurement parts table

MACHINE TYPE /SPEC	GAUGE		NEEDLE PLATE	MAIN FEED DOG ASSM	MAIN FEED DOG	AUX FEED DOG	DIFF FEED DOG	PRESSER FOOT ASSM	UPPER LOOPER	UPPER LOOPER	LOWER LOOPER	CHAINSTITCH LOOPER
	NG	SW										
-	3×2	4	JINBF889UT277518R40-UT	JINBF889 277327/329-1	JINBF889 277327/329-2	JINBF889 277327/329-3	JINBF889 277327/329-4	JINBF889 277118A	JINBF889 277010-5#	-	JINBF889 277015	JINBF889 277018
-	3×2	4	JINBF889277518R40	JINBF889 277327/329-1	JINBF889 277327/329-2	JINBF889 277327/329-3	JINBF889 277327/329-4	JINBF889 277118A	JINBF889 277010-5#	-	JINBF889 277015	JINBF889 277018









MACHINE TYPE /SPEC	GAUGE		UPPER KNIFE		LOWER KNIFE	OVERLOCK NEEDLE GUARD		OVERLOCK NEEDLE GUARD		NEEDLE HOLDER	NEEDLE
	NG	SW	FLAT KNIFE	ANGLED KNIFE		FRONT	REAR	FRONT	REAR		
-	3×2	4	JINBF700M1311		JINBF700 M1317	JINBF889 277007	JINBF889 277004	JINBF889 277008	JINBF889 277006	JINBF889 277030	JINBF700 14JZ
-	3×2	4	JINBF700M1311		JINBF700 M1317	JINBF889 277007	JINBF889 277004	JINBF889 277008	JINBF889 277006	JINBF889 277030	JINBF700 14JZ

Change of data, Subject to change without notice, Based on physical objects.